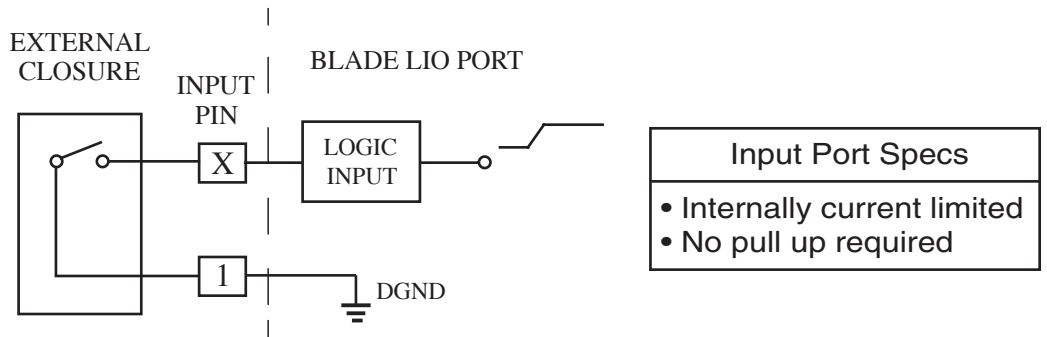


Simplified Blade Logic I/O

Input Logic



Logic Inputs are activated when the input pin is pulled to DGND.

Output Logic

Logic Output ports are pulled to DGND when activated.

