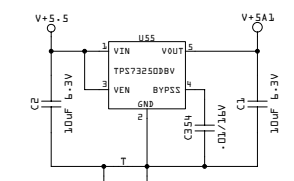
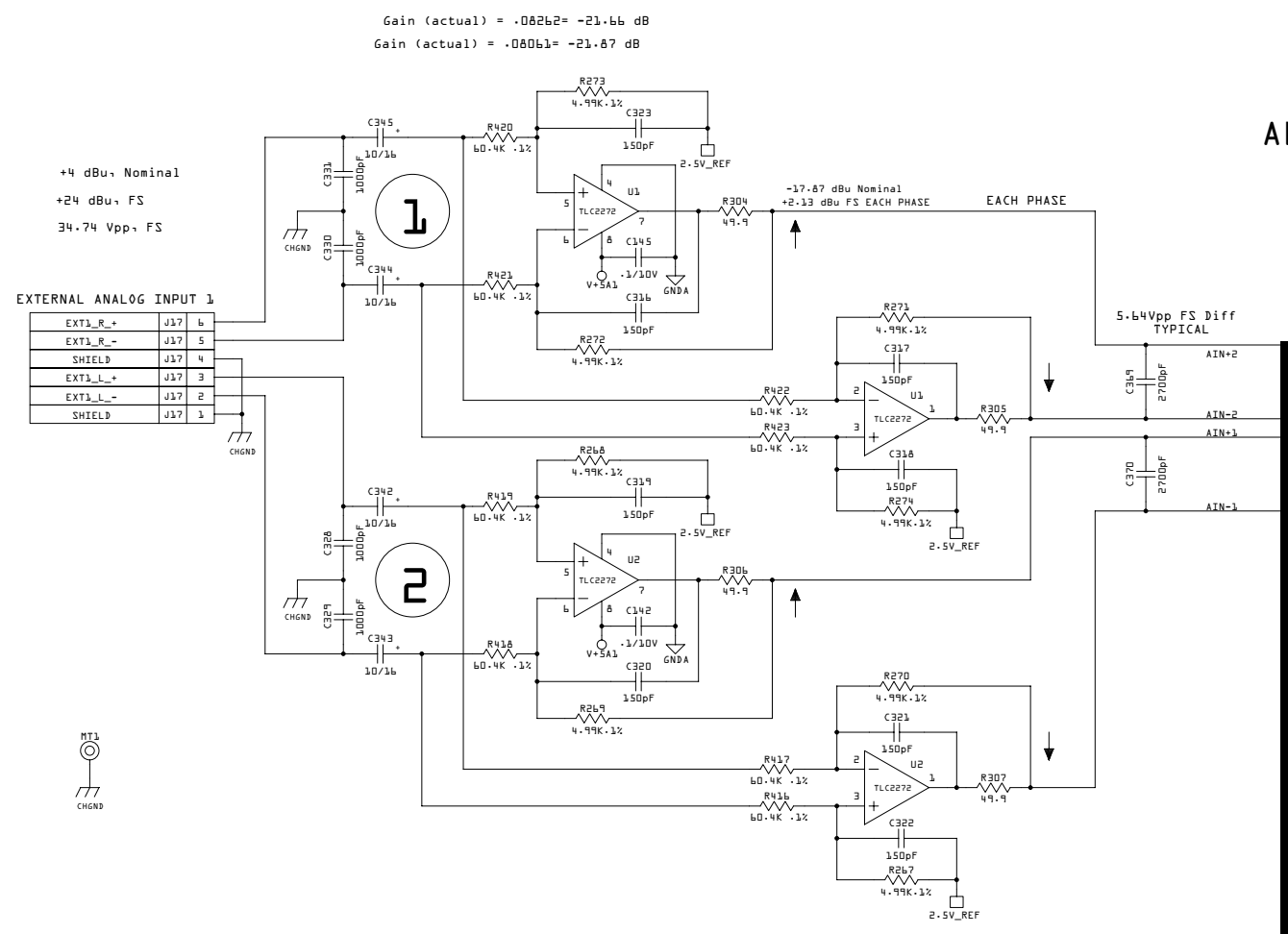
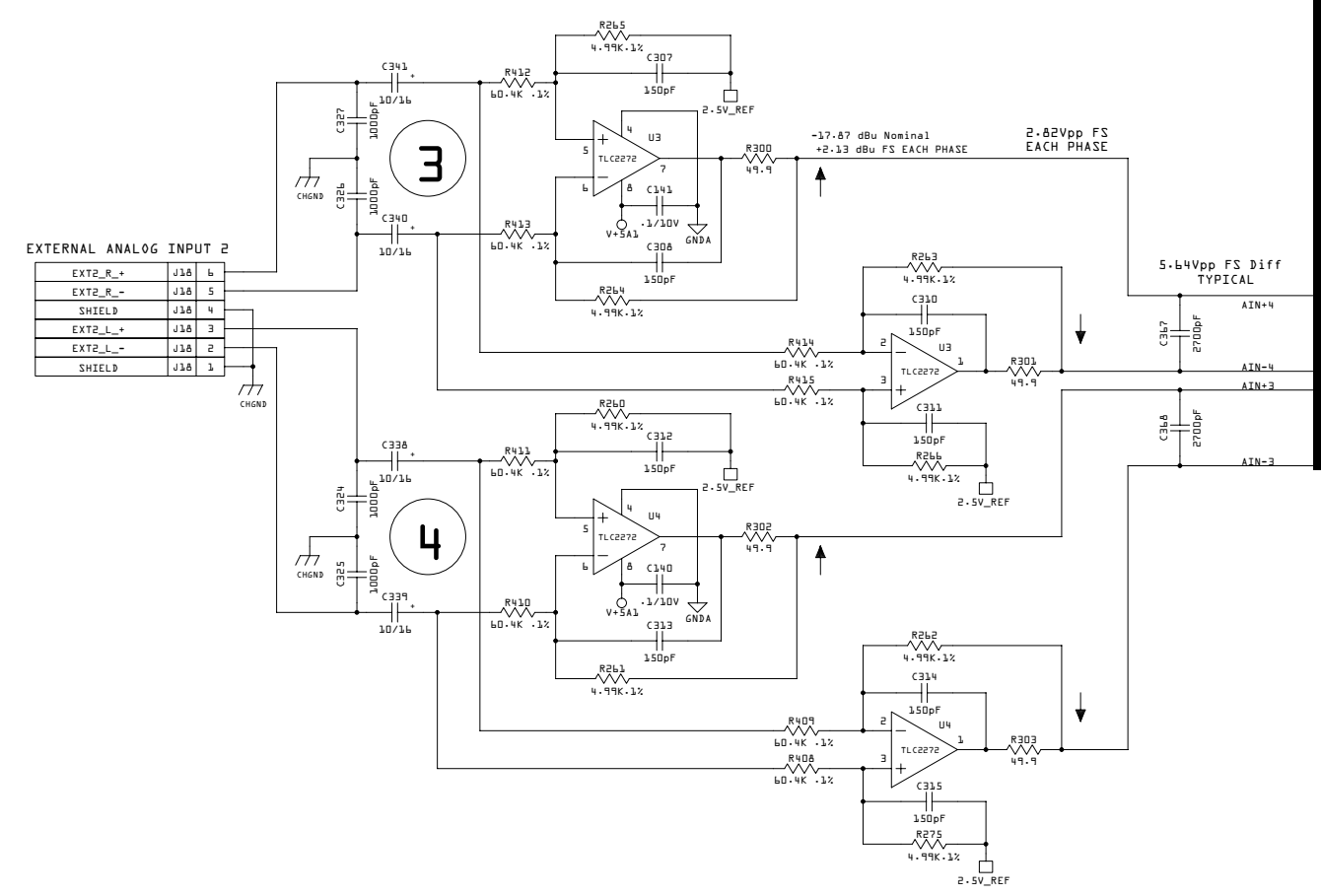
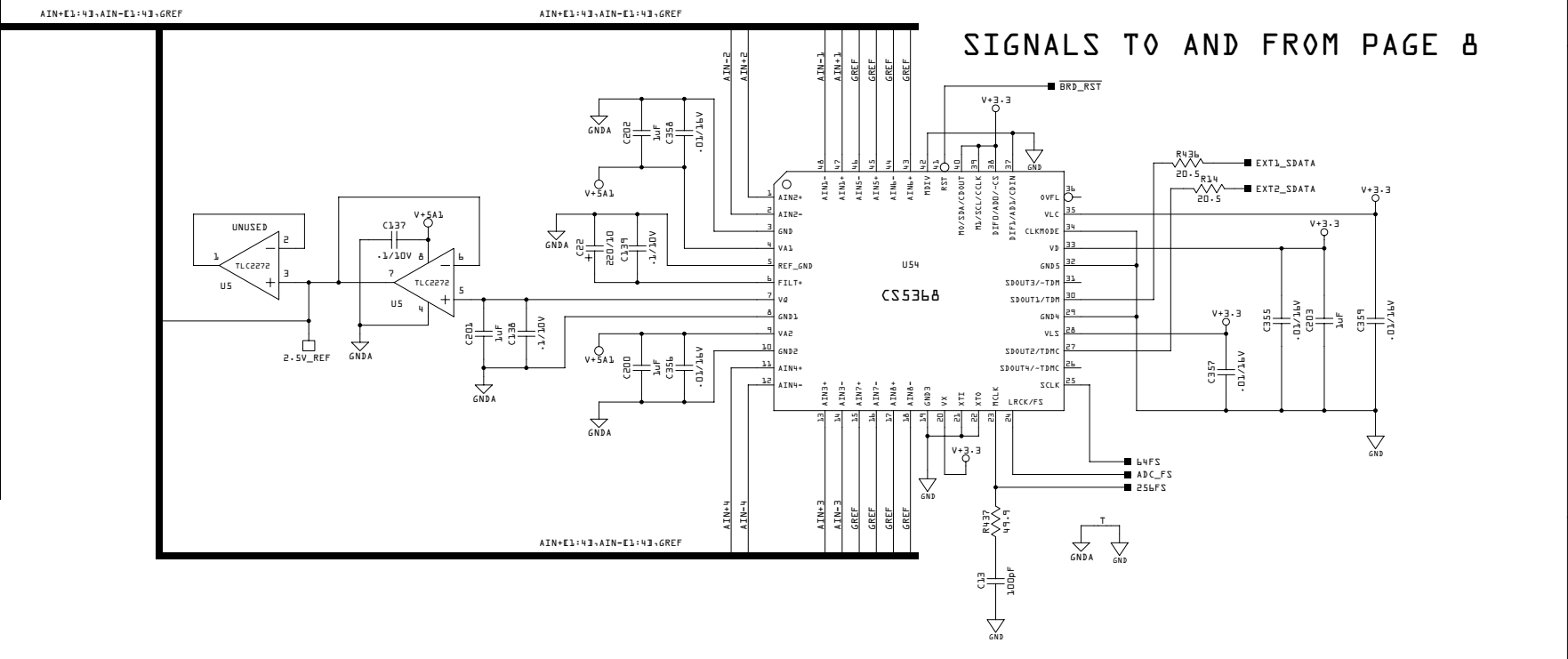


REV	ECO #	DESCRIPTION	DATE	APPROVAL
A		PROTOTYPE RELEASE	27JAN06	L. STANTON
B		INITIAL RELEASE	17MAR06	L. STANTON
C	52793	Lowered gain on Headphone Amp. Pg. 4	18APR06	L. STANTON
D	52844	R290-R293 changed part number	2MAY06	L. STANTON
E	53004	chg overvolt det. add hysteresis to PPI	14MAY06	L. STANTON
F	53304	C57 was 0.1uF. is 332K ohm	12JUN06	L. STANTON
G	53296	C278-C287-289-300 1.5nF to 1nF, Flip J24 C342-373 0.1uF to 0.047uF	14JULY06	L. STANTON
H	53462	J25 ser to parallel. ch1 pin 14 to M16. Added 016, R59 & Sens Flit R64, C64	24AUG06	L. STANTON
I	55637	chg J28 to Thru-hole. replaced AGV212s	14NOV07	J. DOMBROWSKI

ANALOG INPUTS EXTERNAL 1-2



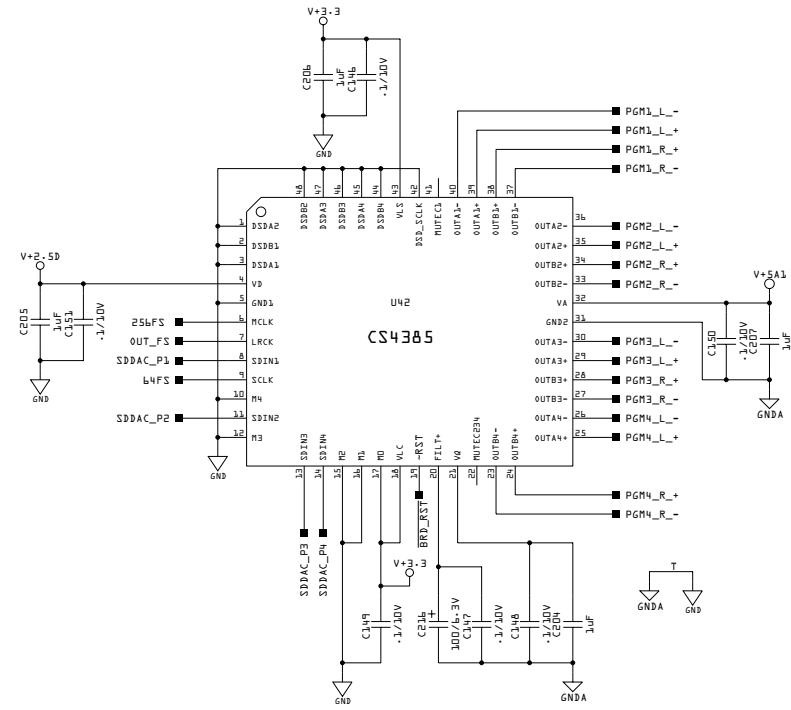
ANALOG TO DIGITAL CONVERSION



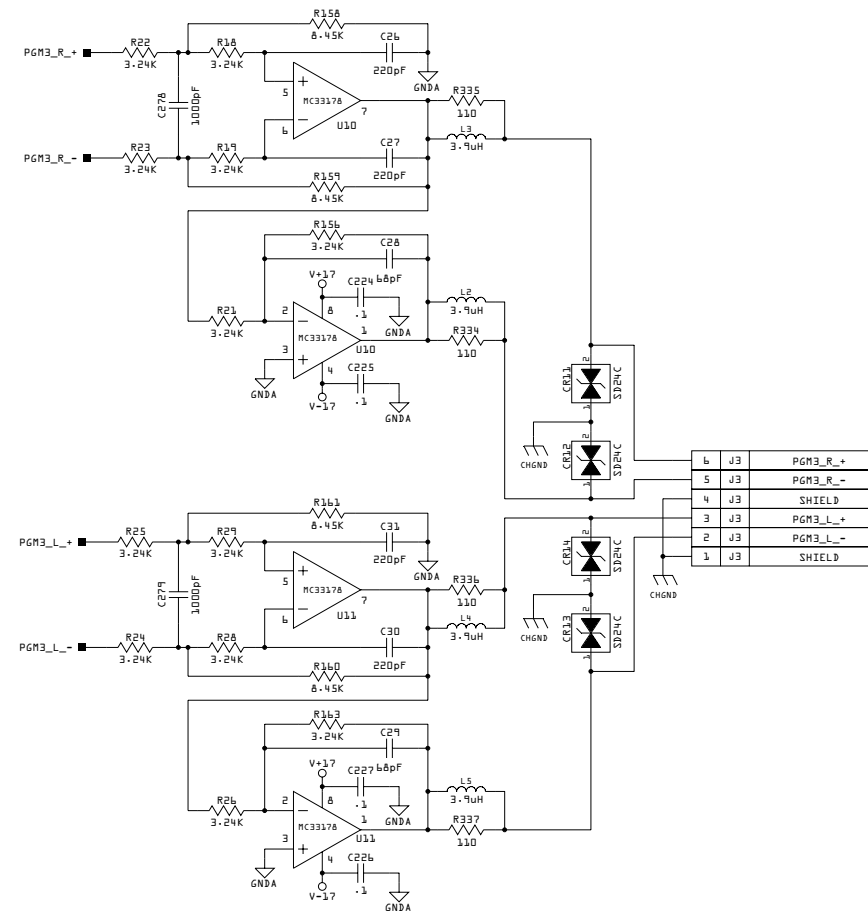
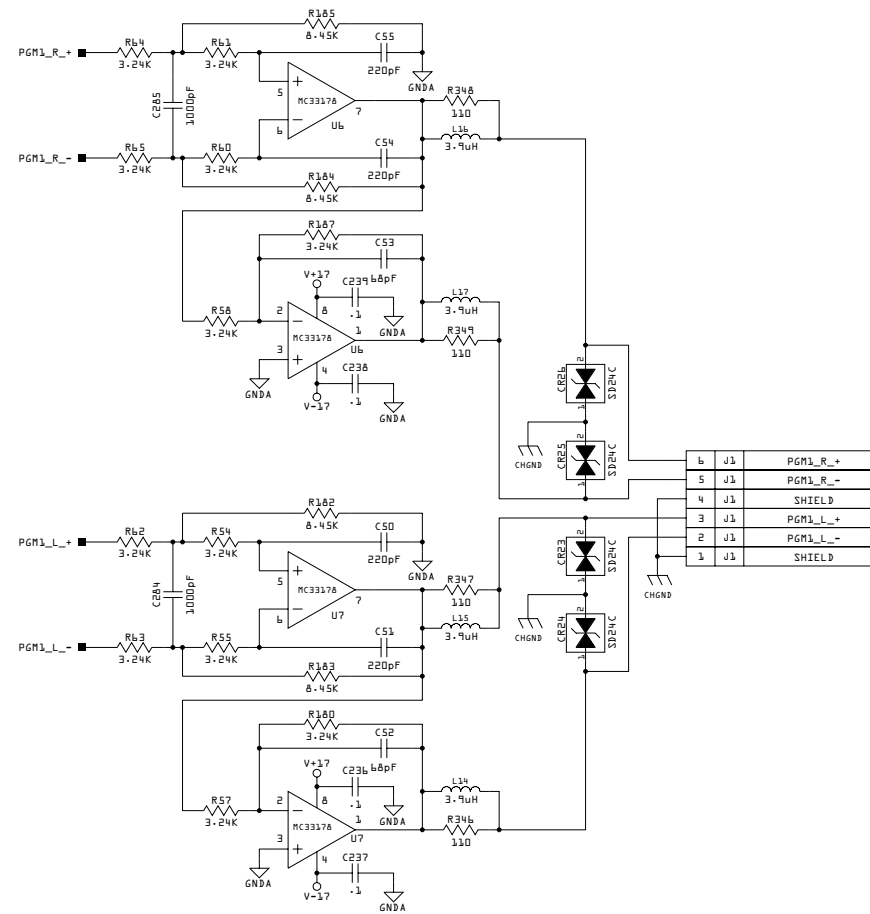
ASSEMBLY VERSION

APPROVALS	DATE	HARRIS CORPORATION BROADCAST SYSTEMS DIVISION	
L. STANTON	2DEC05	DESIGNS BY PACIFIC RESEARCH & ENGINEERING	
L. STANTON	18APR06	SCHEMATIC	
OUT/MON, NetWave			
SIZE	DRAWING NUMBER	REV	
D	92-1421	H	
USED ON	NetWave	11-8-2007_14:09	SHEET 1 OF 7

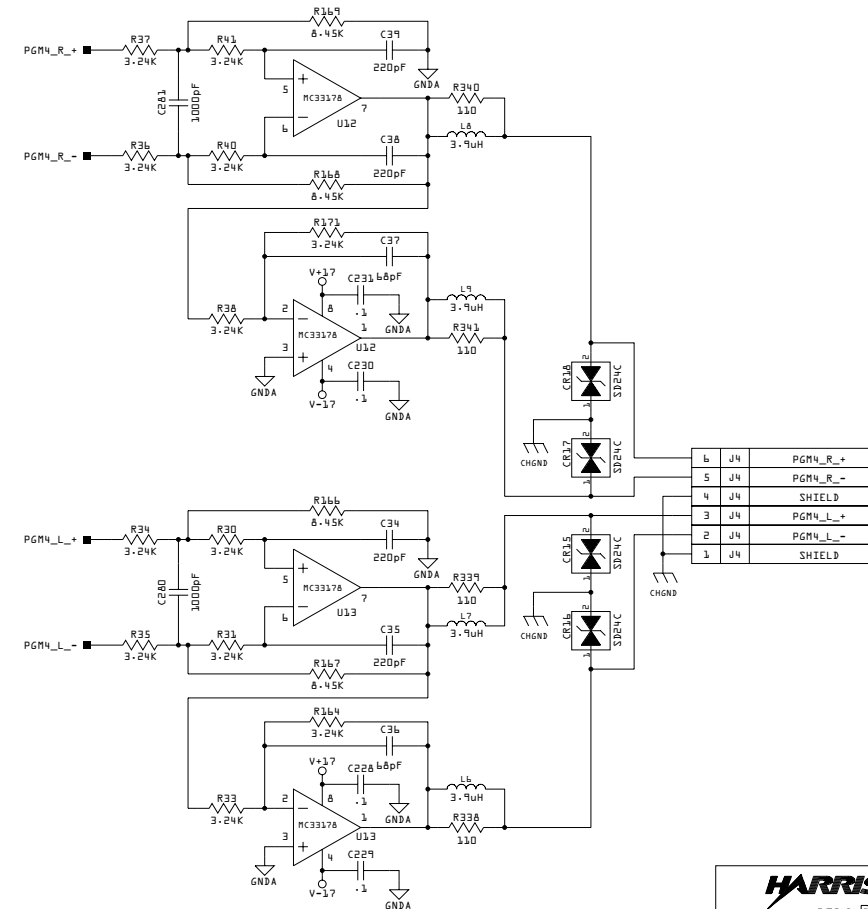
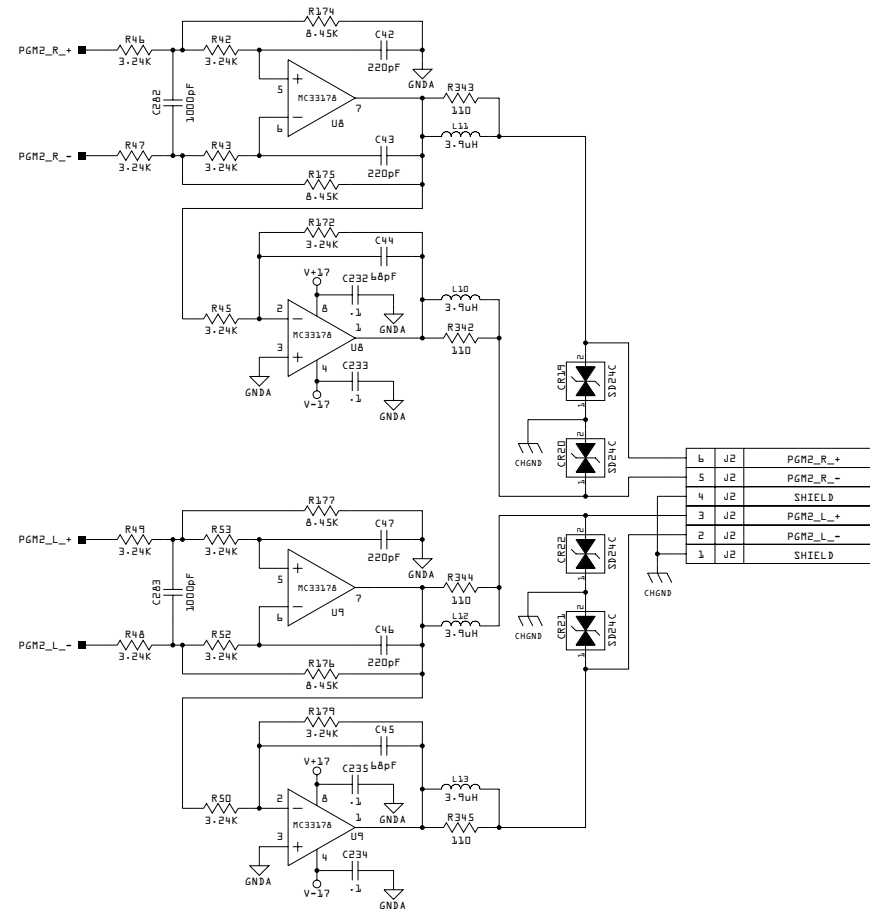
DIGITAL TO ANALOG CONVERSION



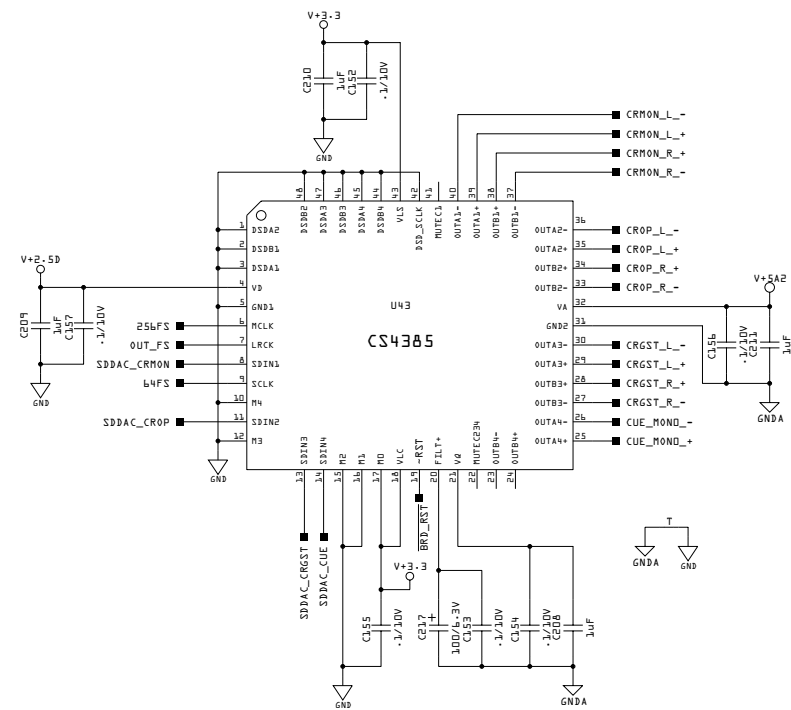
SIGNALS TO AND FROM PAGE 8



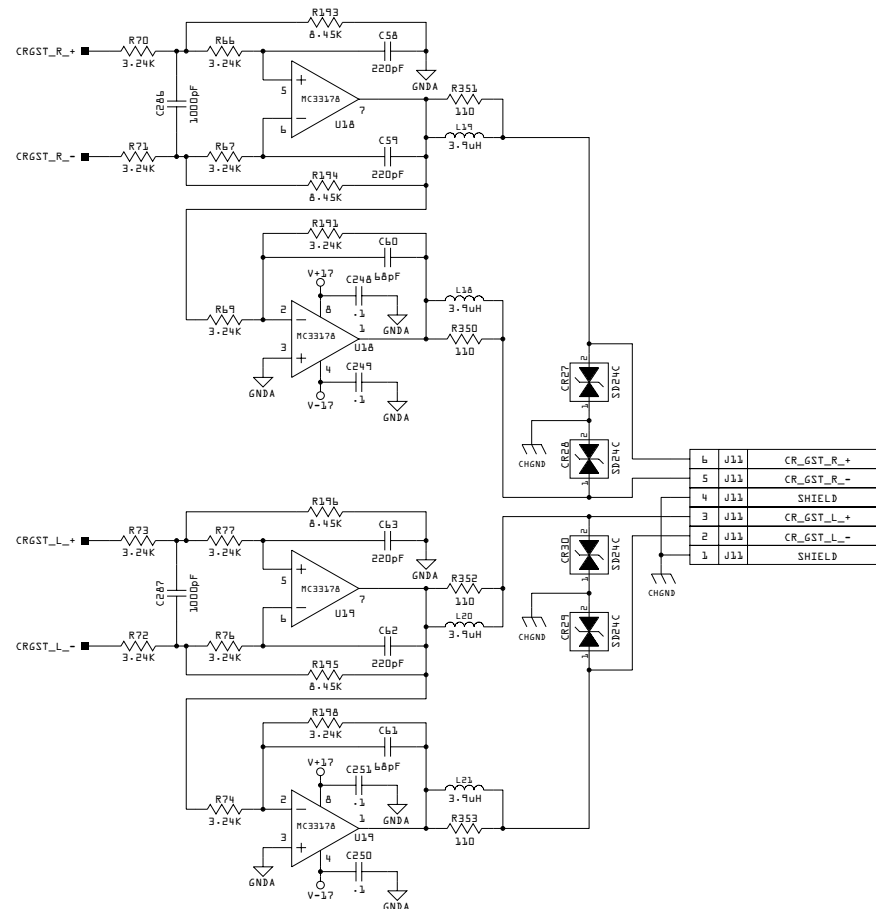
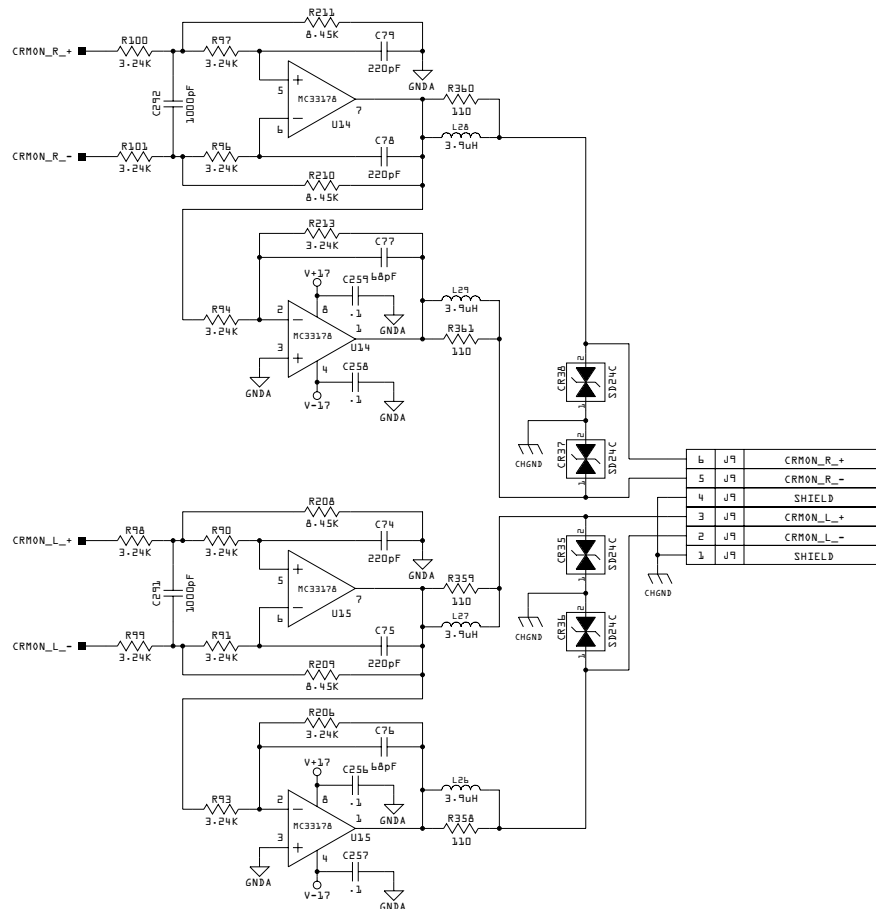
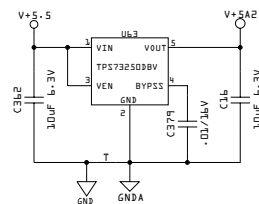
ANALOG OUTPUTS PROGRAM 1-4



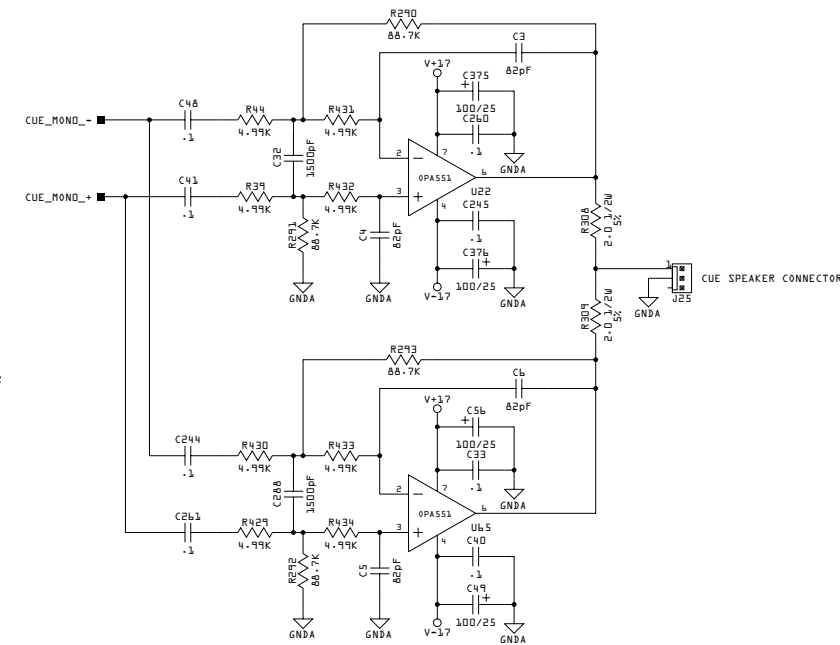
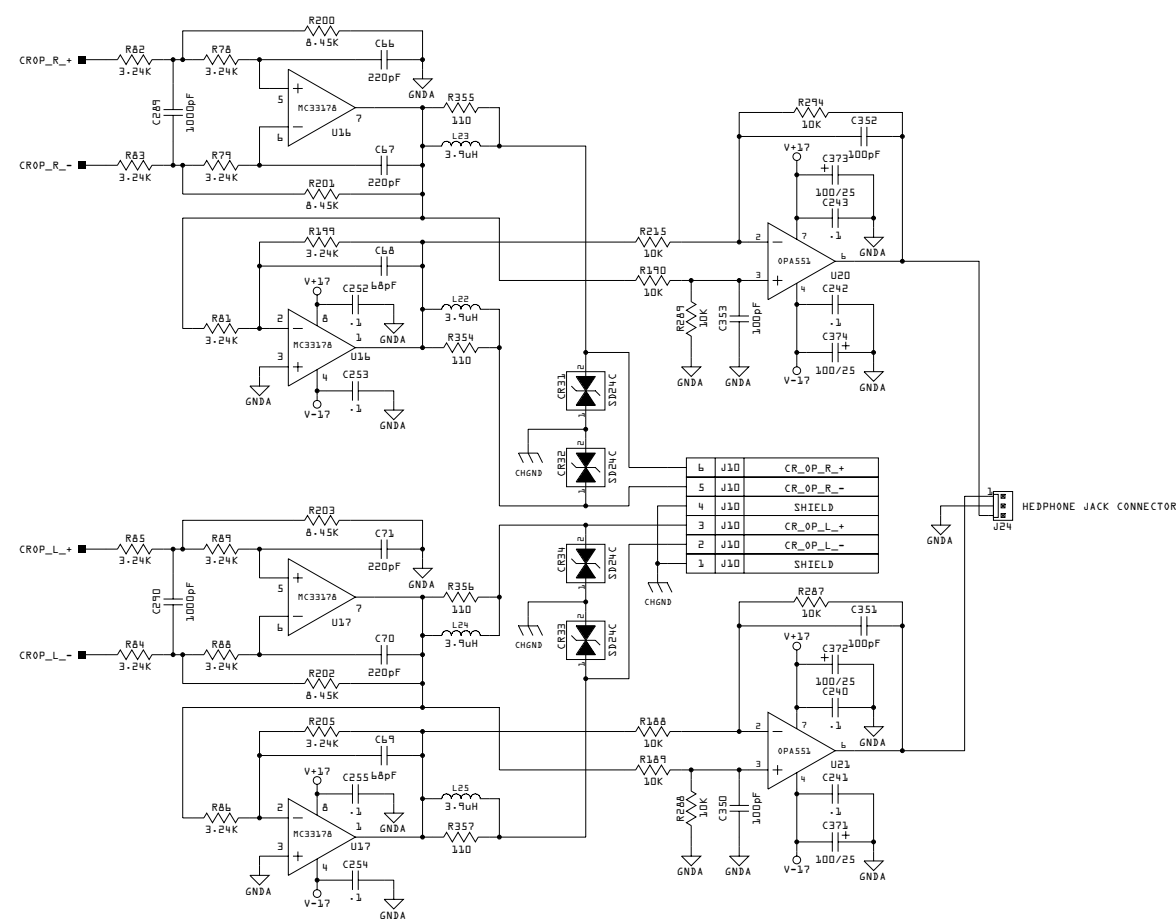
DIGITAL TO ANALOG CONVERSION



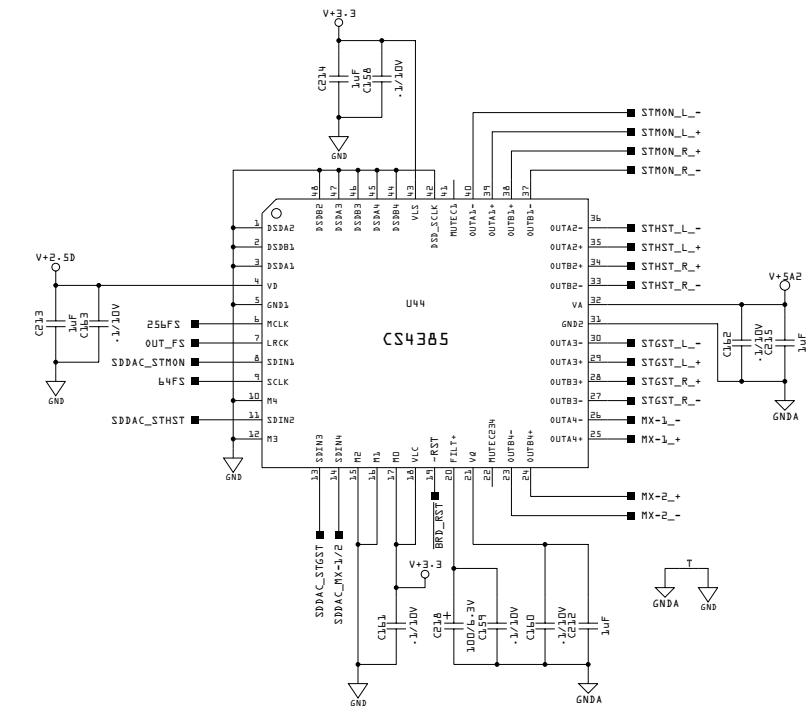
SIGNALS TO AND FROM PAGE 8



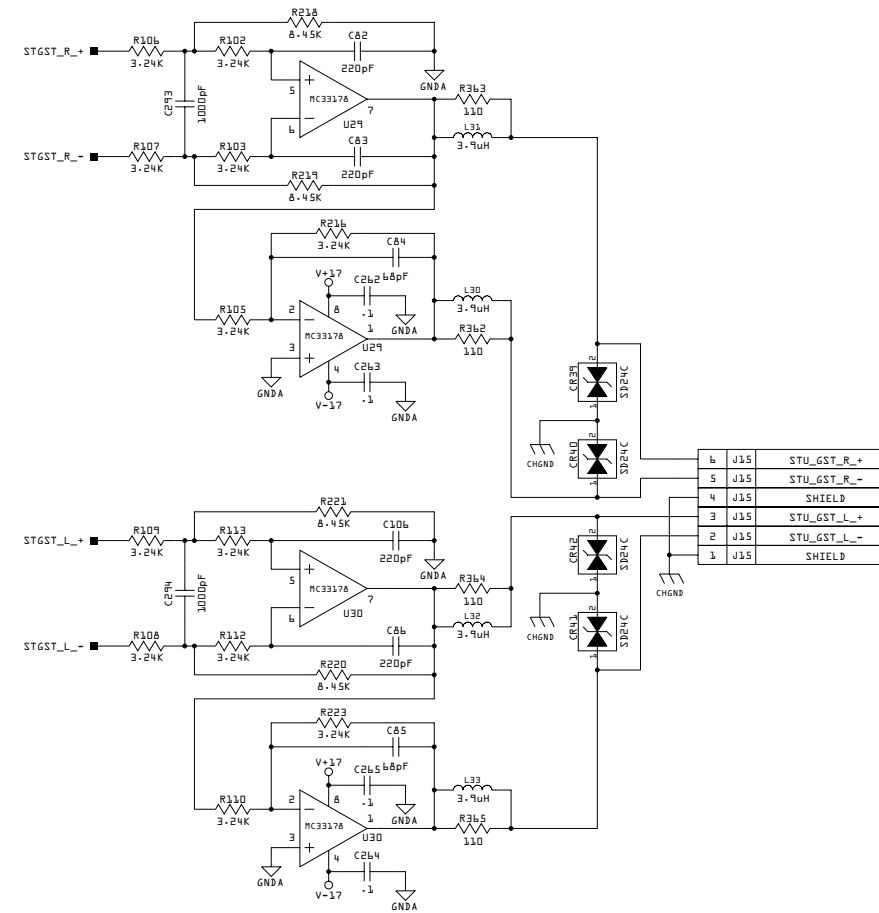
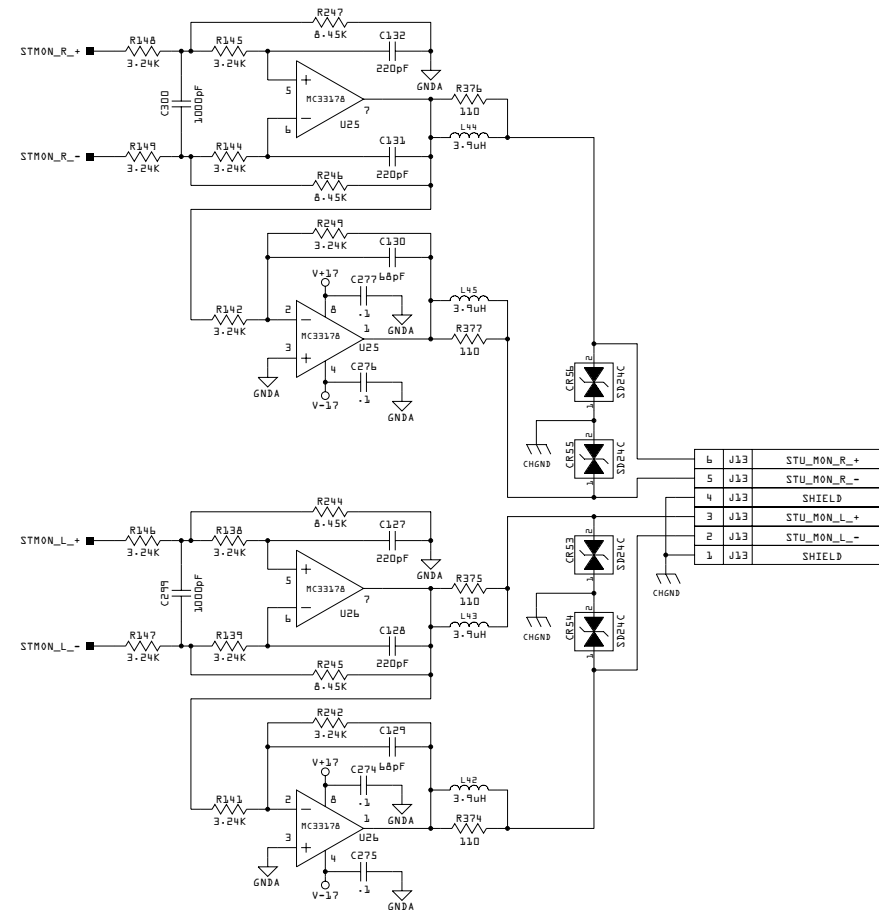
ANALOG OUTPUTS CONTROL ROOM



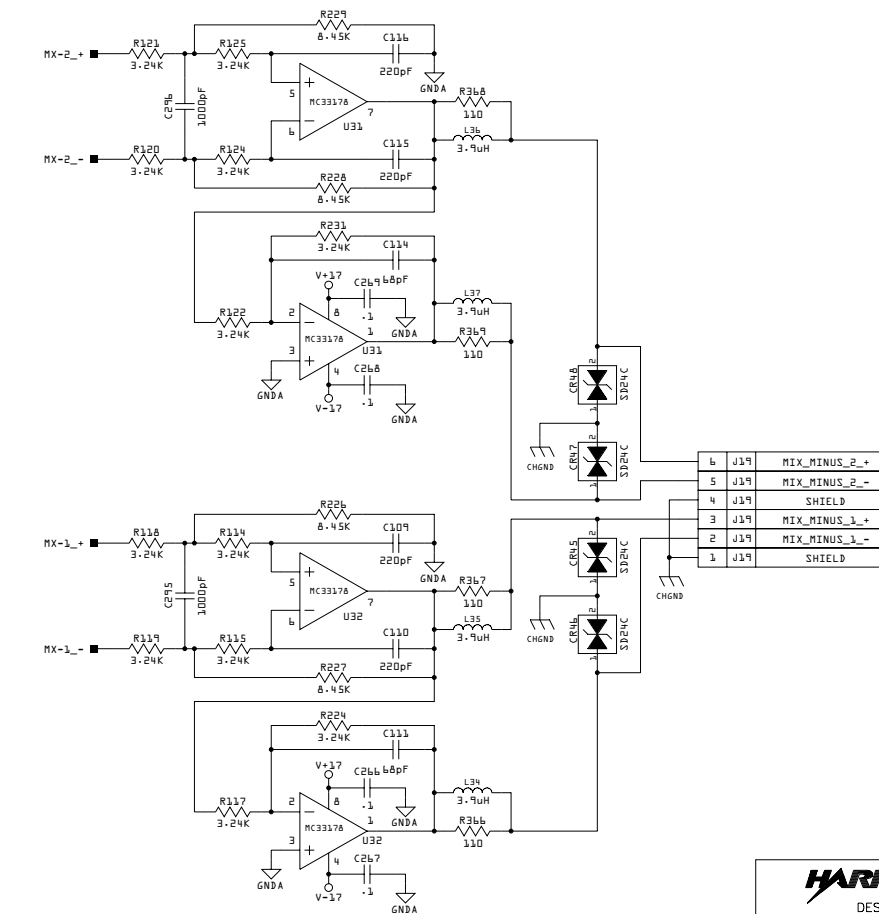
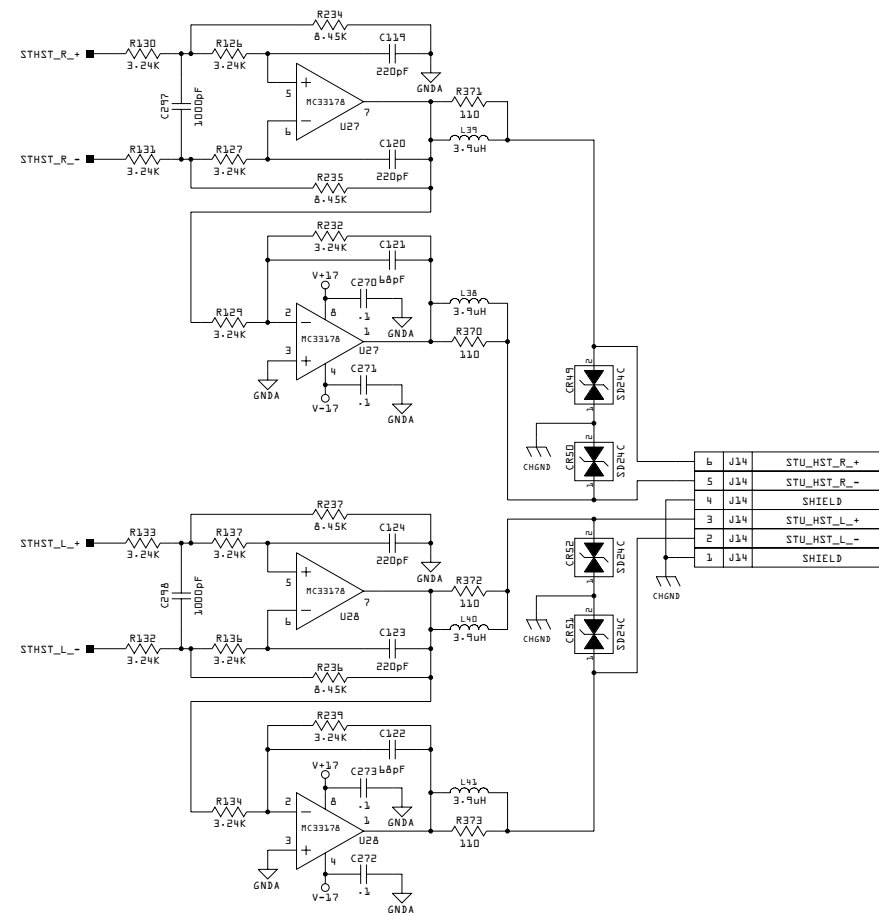
DIGITAL TO ANLOG CONVERSION

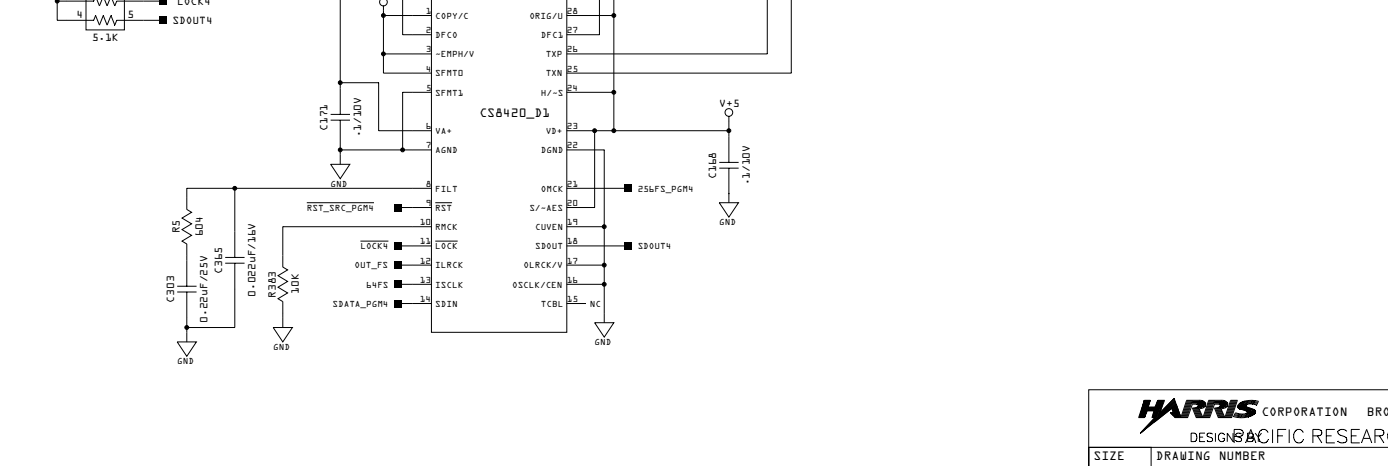
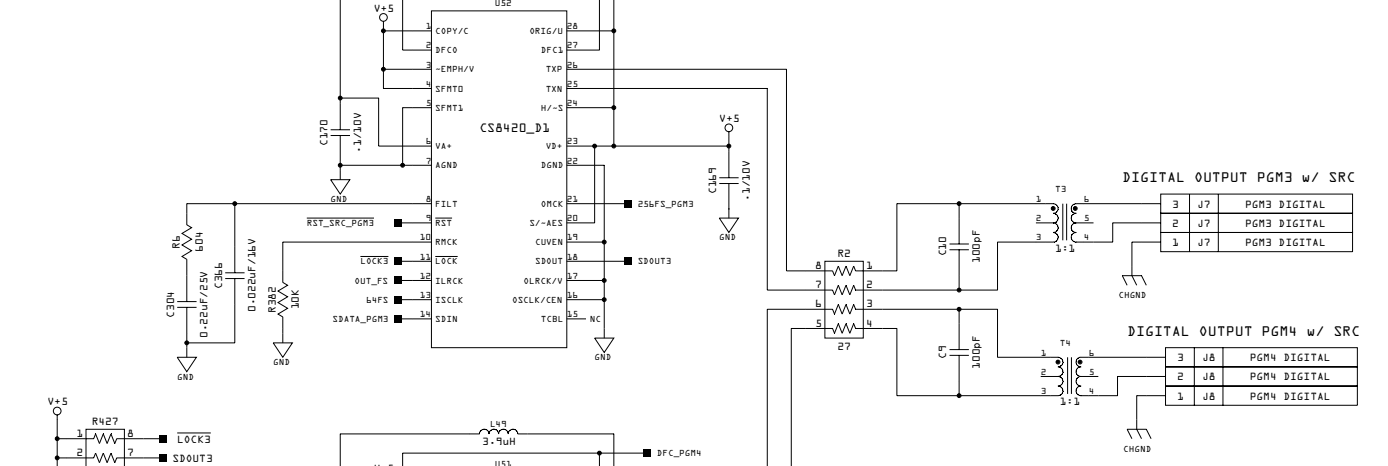
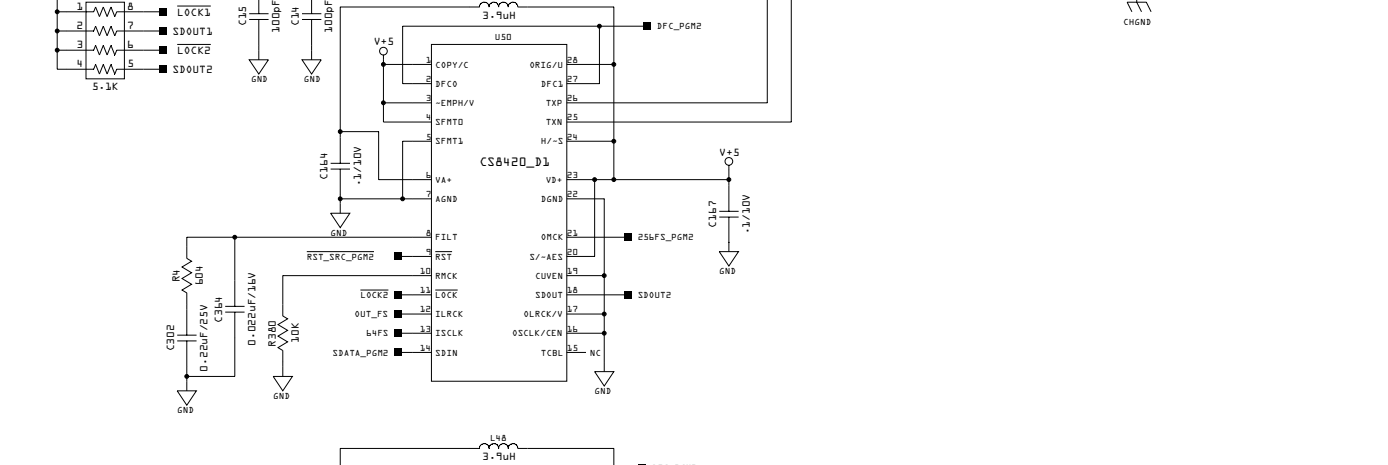
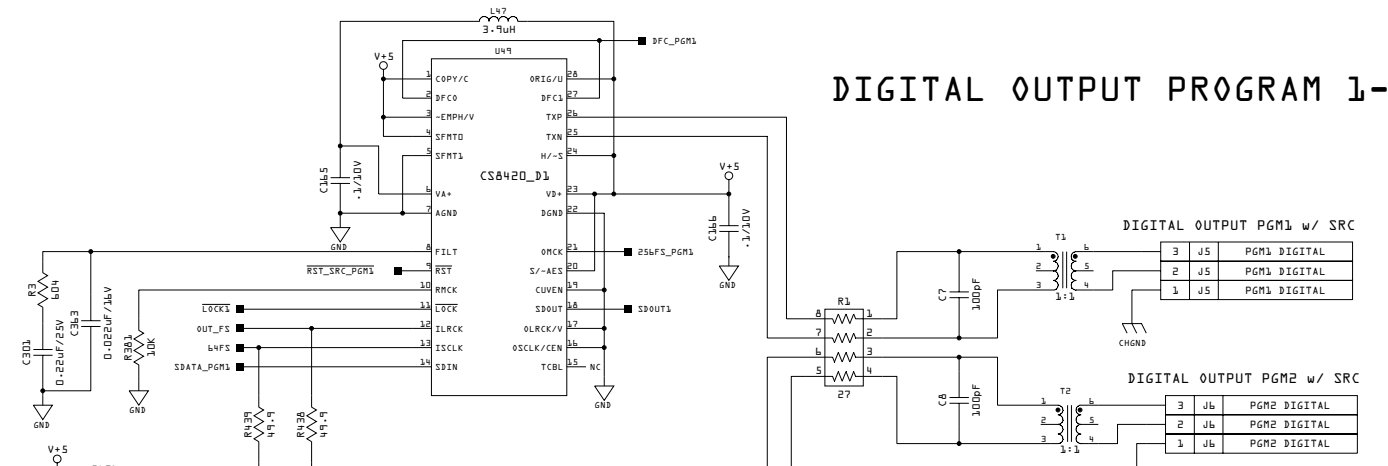
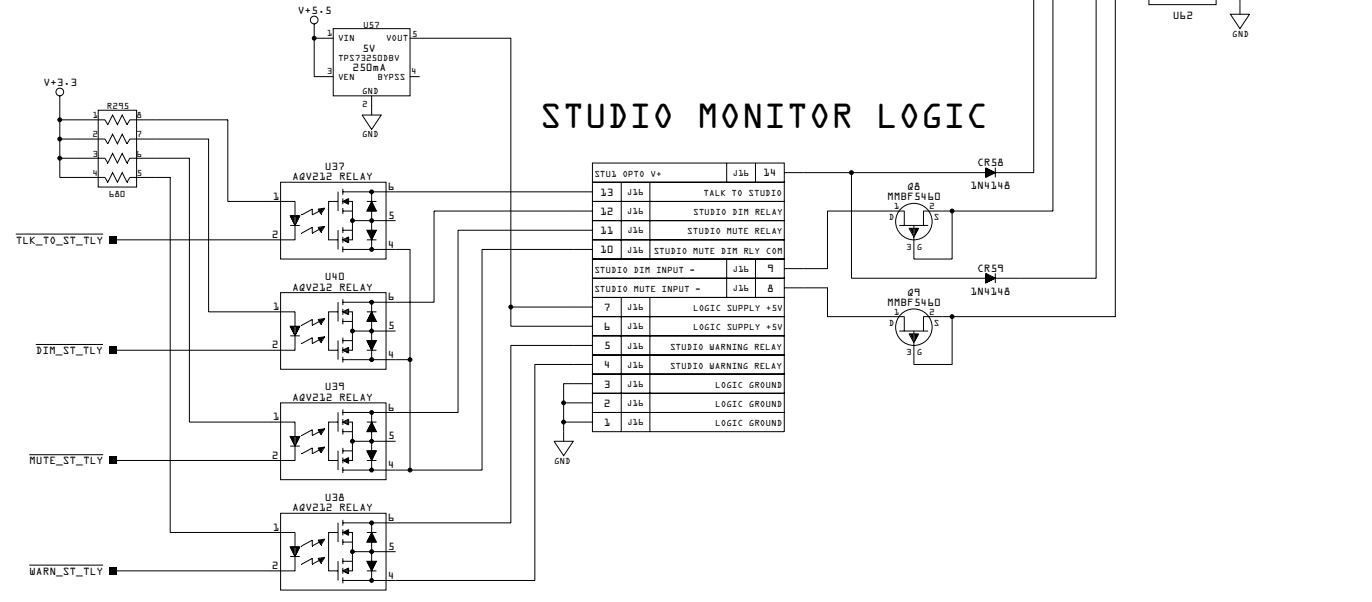
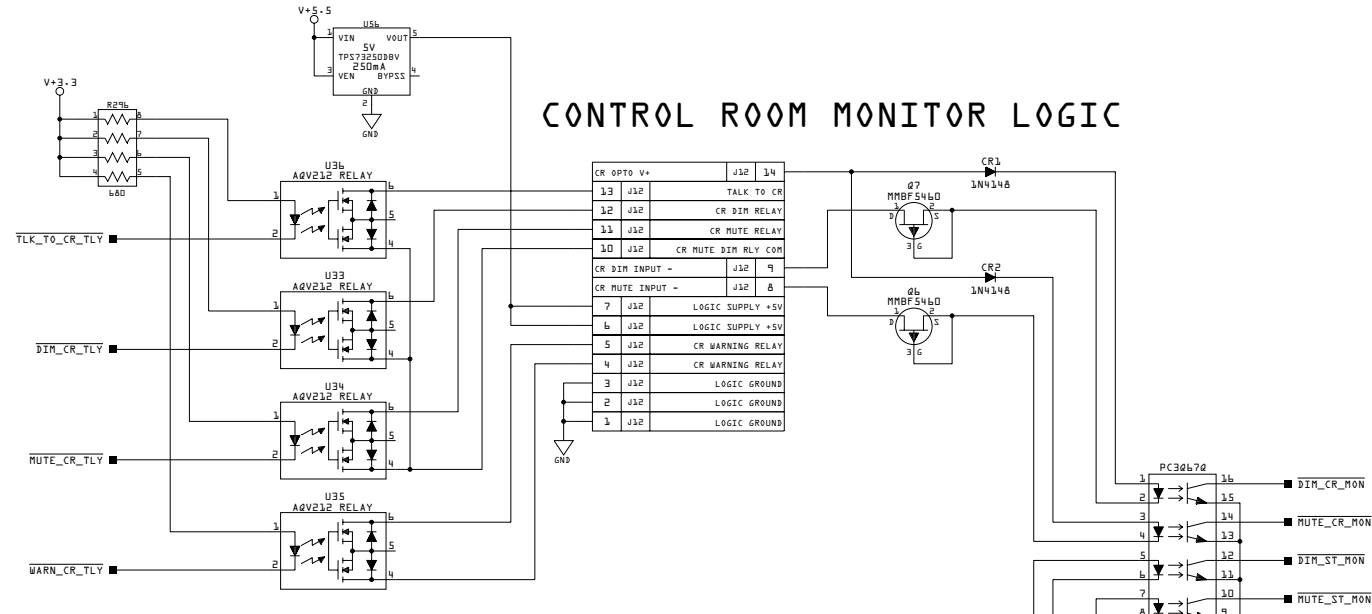


SIGNALS TO AND FROM PAGE 8



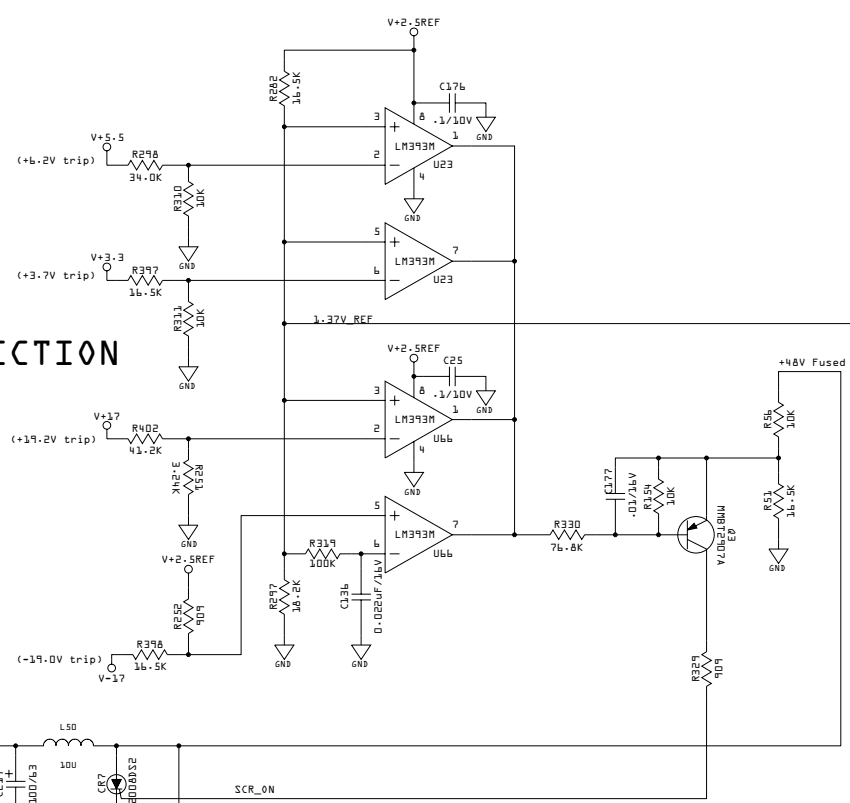
ANALOG OUTPUTS STUDIO AND MIX-MINUS



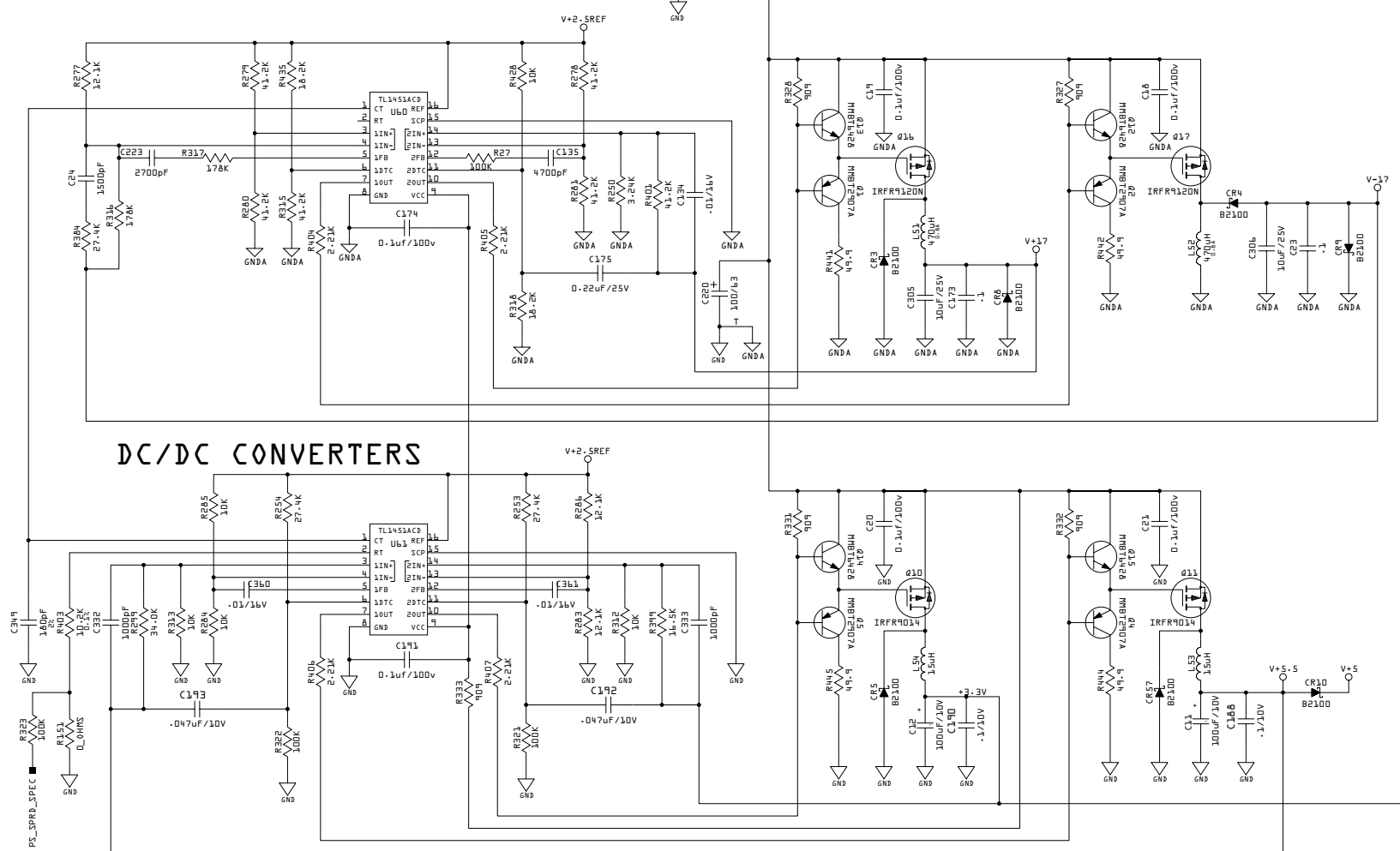


OVER-VOLTAGE DETECTION

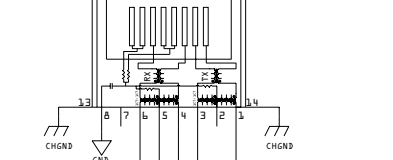
POWER ENTRY MINI-FIT JUNIOR



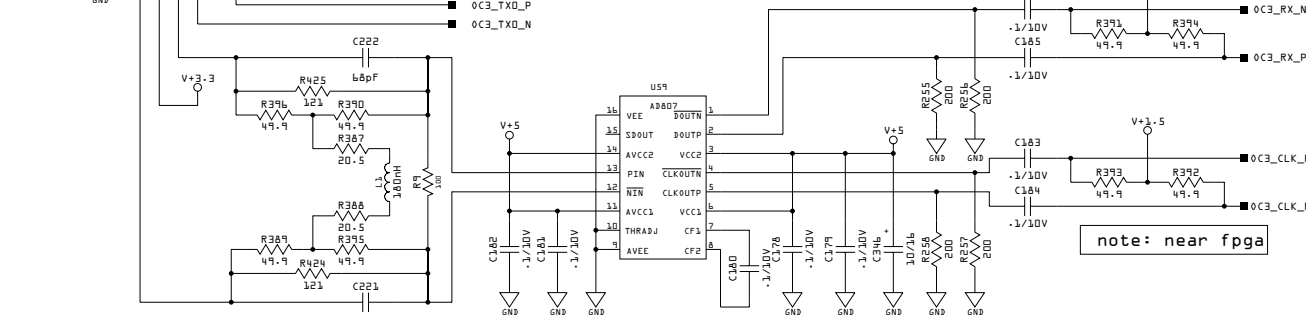
DC/DC CONVERTERS



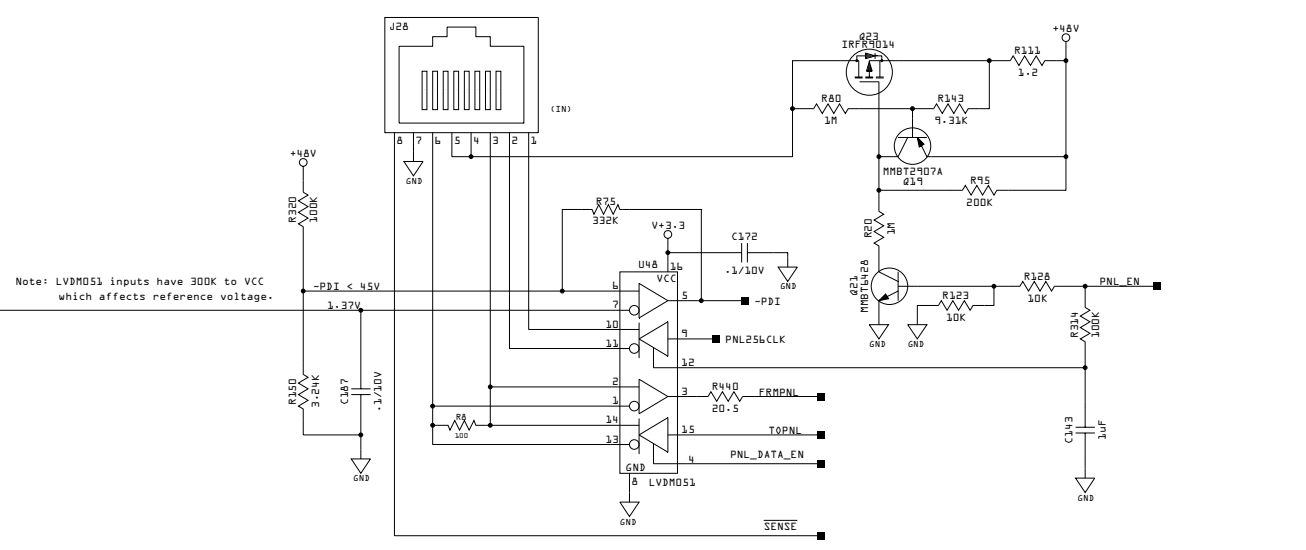
INPUT 0 IN USE



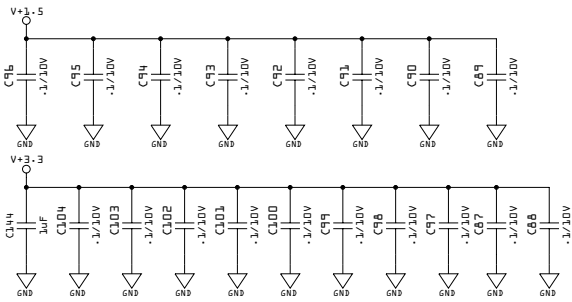
LINK AUDIO



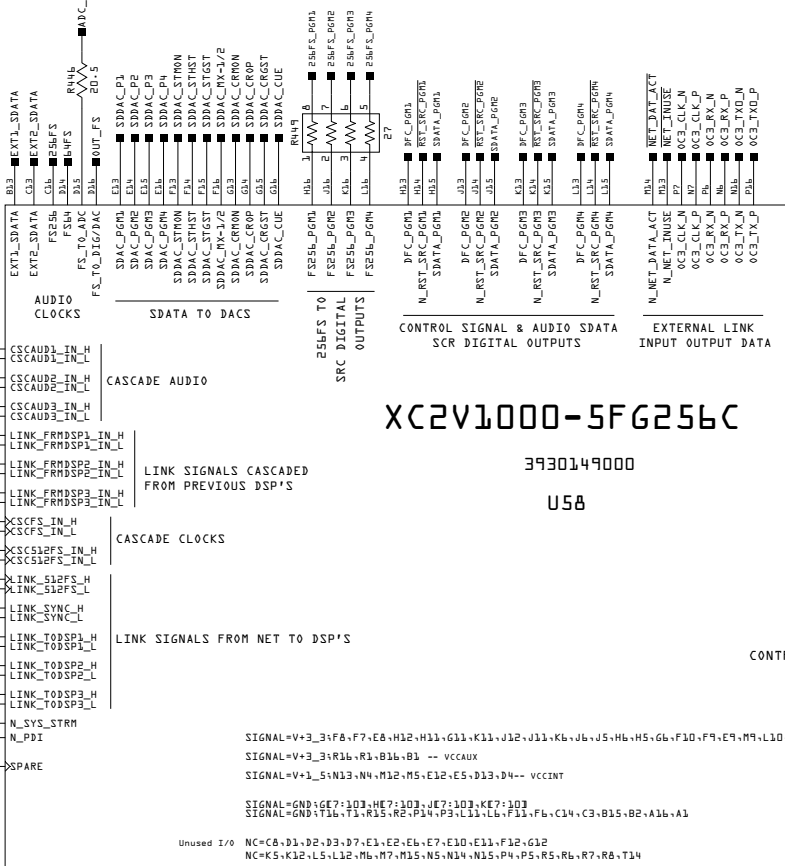
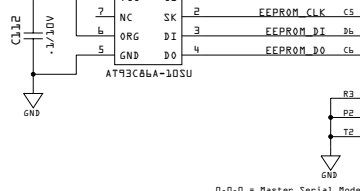
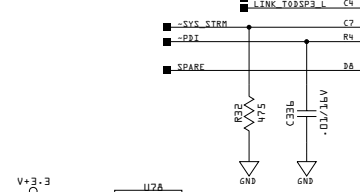
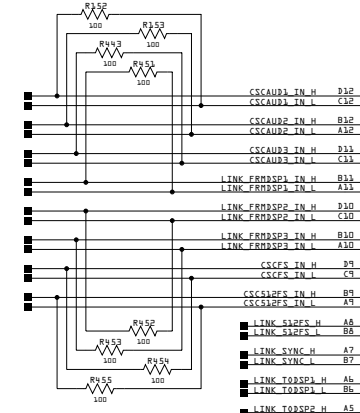
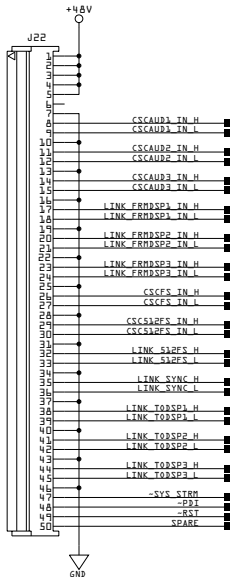
MONITOR PANEL



HARRIS CORPORATION BROADCAST SYSTEMS DIVISION	
DESIGN PACIFIC RESEARCH & ENGINEERING	
SIZE	DRAWING NUMBER
D	92-1421OUT/MON, NetWave
ASSY VERSION	SHEET 6 OF 7

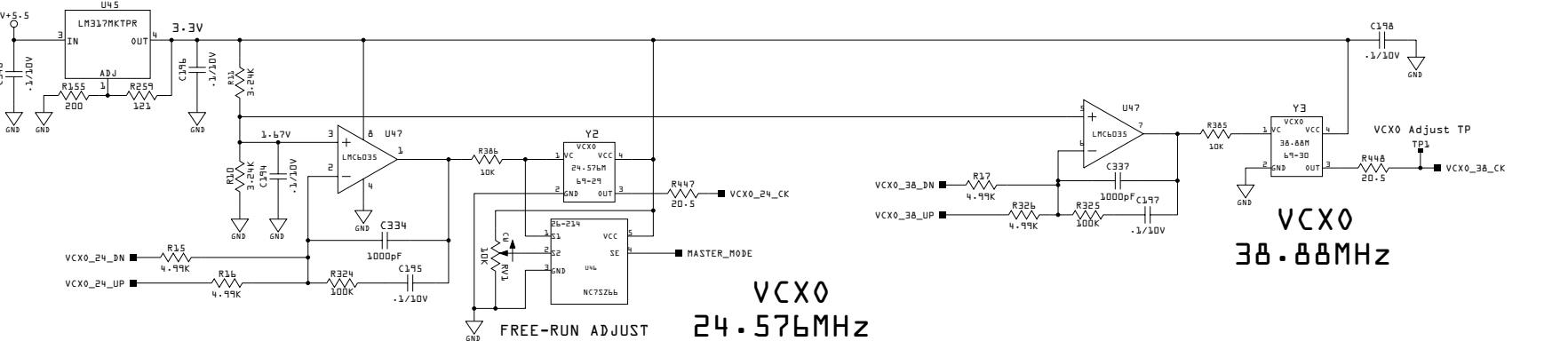
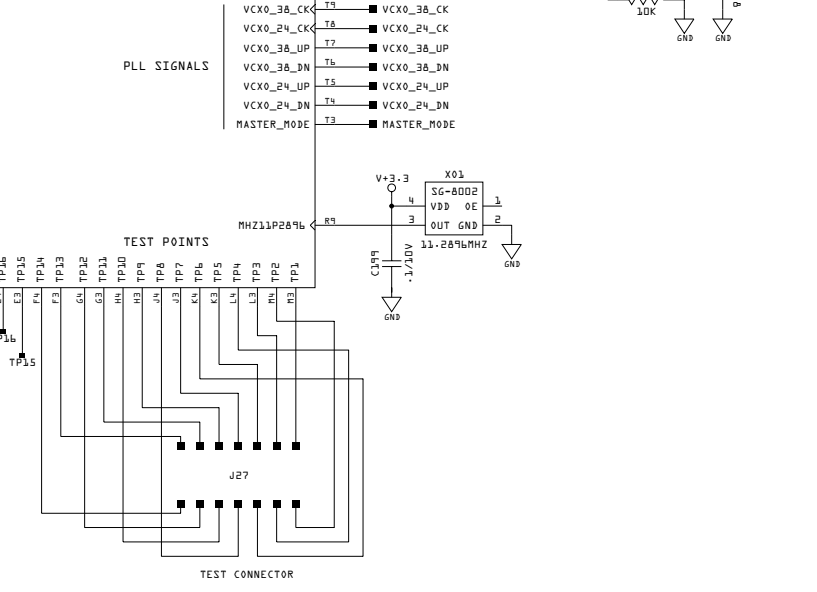
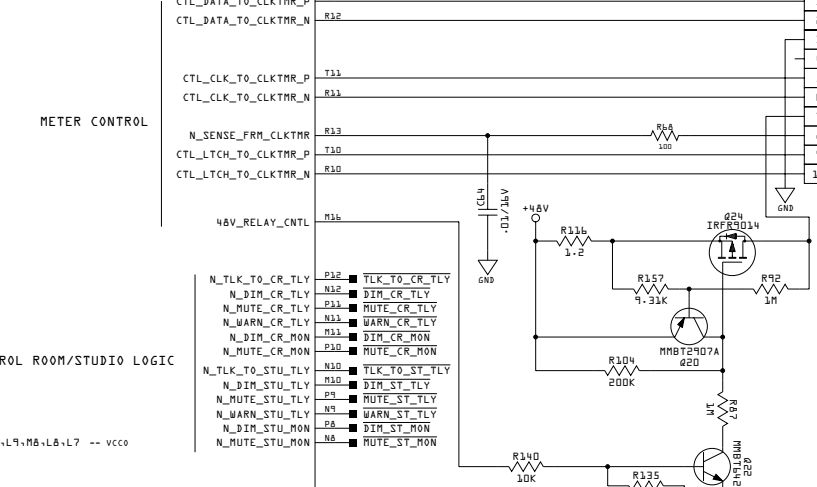
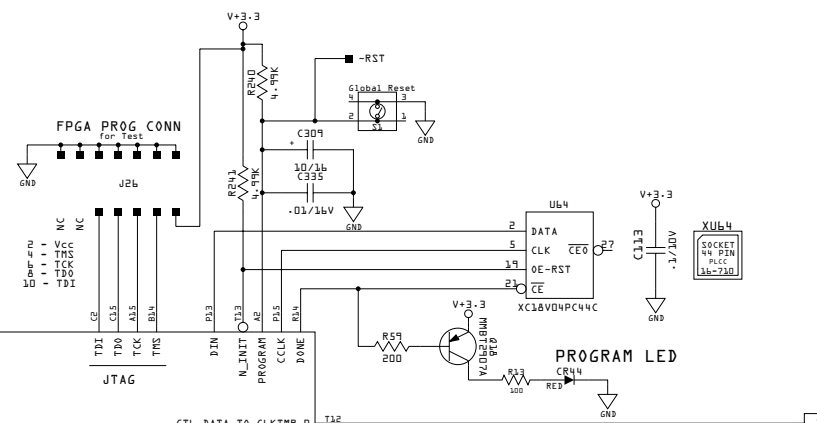


USB BYPASS CAPACITORS



XC2V1000-5FG256C
3930149000
USB

SIGNAL=V+3_3\F+7-E8-H32-H33-G33-J332-J331-K6-J6-J5-H6-H5-G6-F30-F9-E9-F9-L30-L9-M8-L8-L7 -- VCC0
 SIGNAL=V+3_3\R36-R3-B36-B1 -- VCCAUX
 SIGNAL=V+3_5\N33-N4-M32-M5-E32-E5-D33-B4-- VCCINT
 SIGNAL=GND\G67-J03-HE7-J03-KE7-J03-KE7-J03
 SIGNAL=GND\T36-T1-R35-R2-P14-P3-L31-L6-F31-F6-C14-C3-B35-B2-A36-A3
 Unused I/O NC=C8-D3-D2-D3-D7-E1-E2-E6-E7-E10-E11-F32-G12
 NC=K5-K12-L5-L32-M6-M7-M15-N5-N14-N15-P4-P5-R5-R6-R7-R8-T14



1	J23	CTL DATA TO CLKTRM +
2	J23	CTL DATA TO CLKTRM -
3	J23	GND
4	J23	NC
5	J23	CTL CLK TO CLKTRM +
6	J23	CTL CLK TO CLKTRM -
7	J23	+48V
8	J23	-SENSE SIG FRM CLKTRM
9	J23	CTL LATCH TO CLKTRM +
10	J23	CTL LATCH TO CLKTRM -

