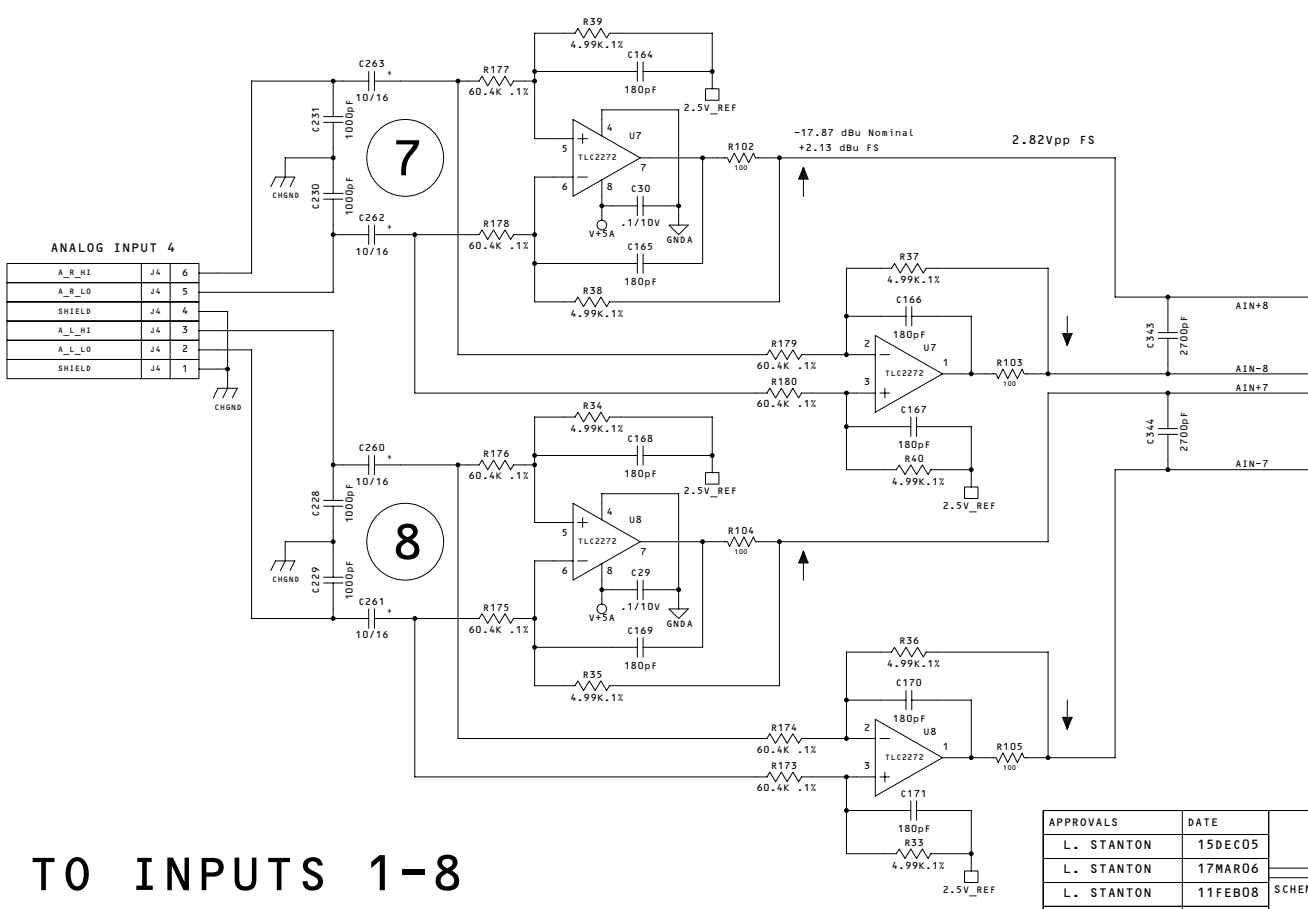
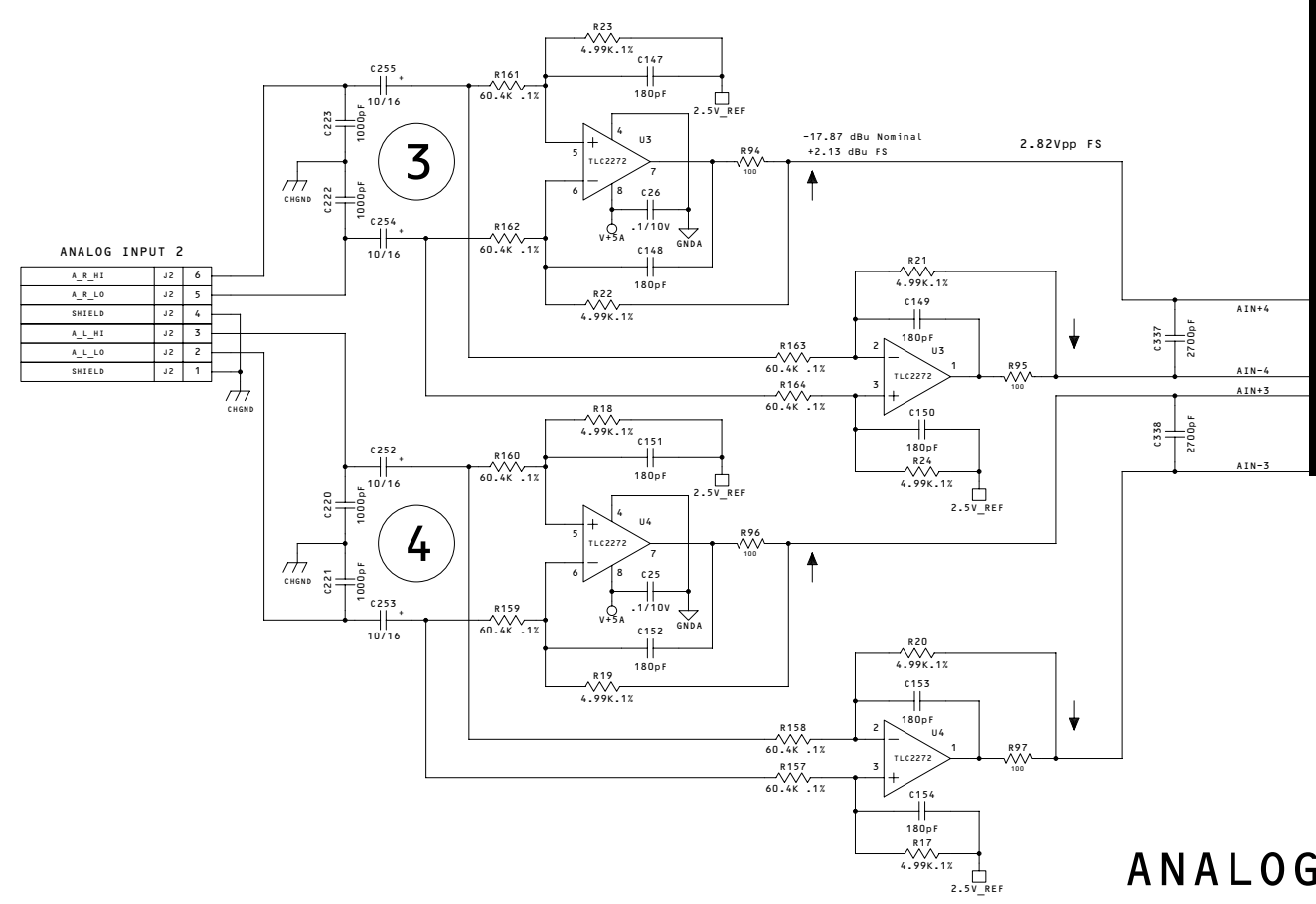
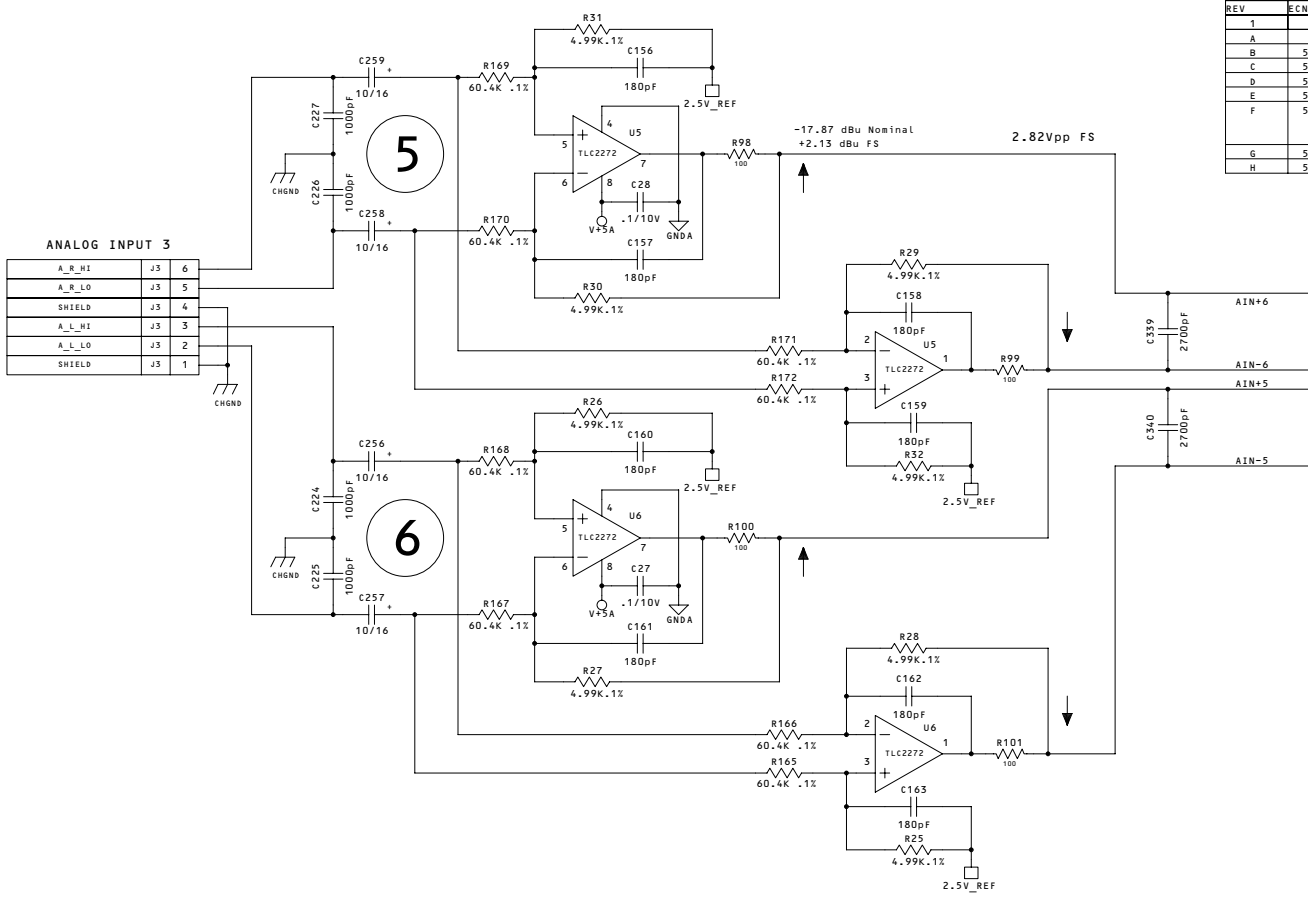
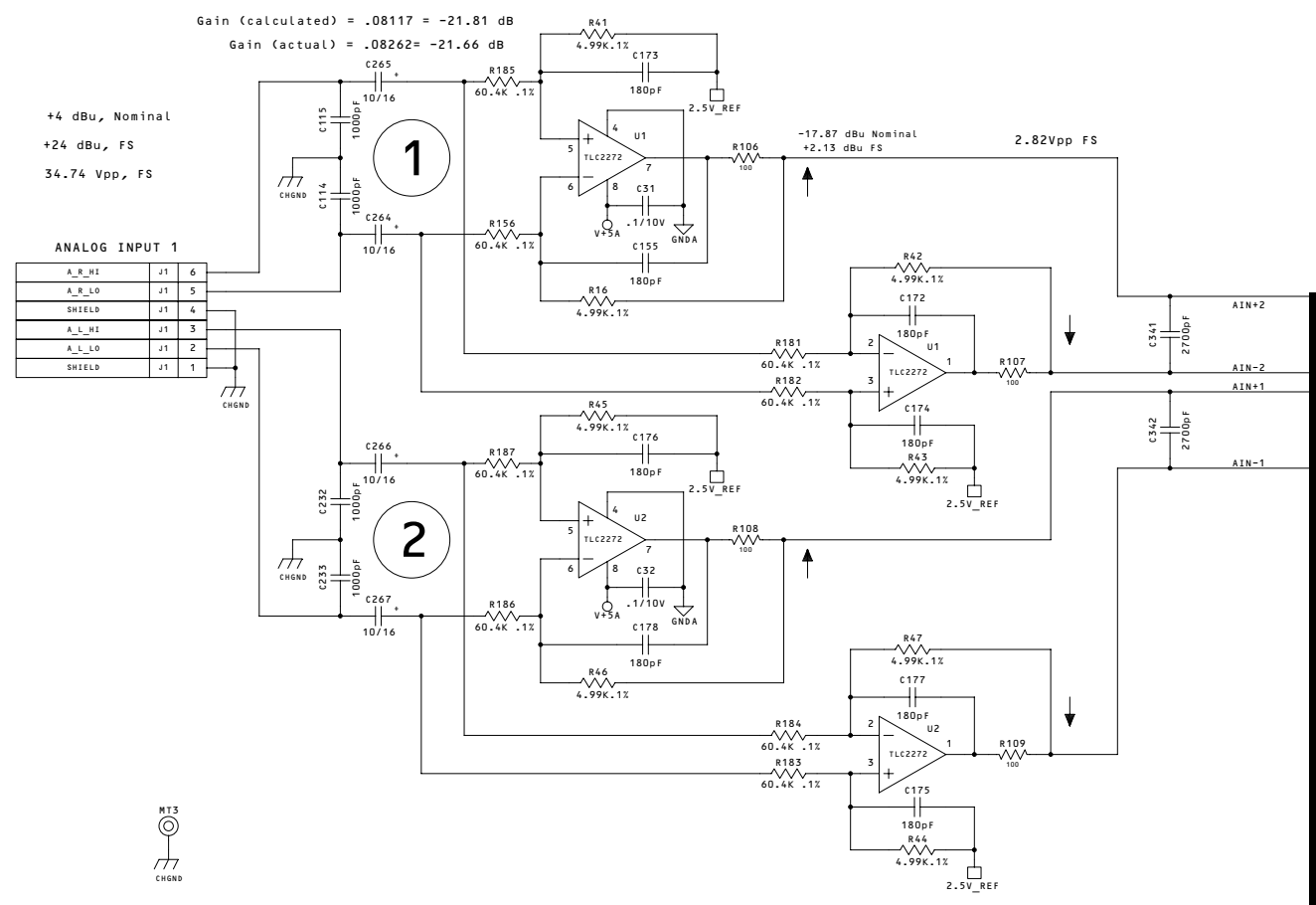
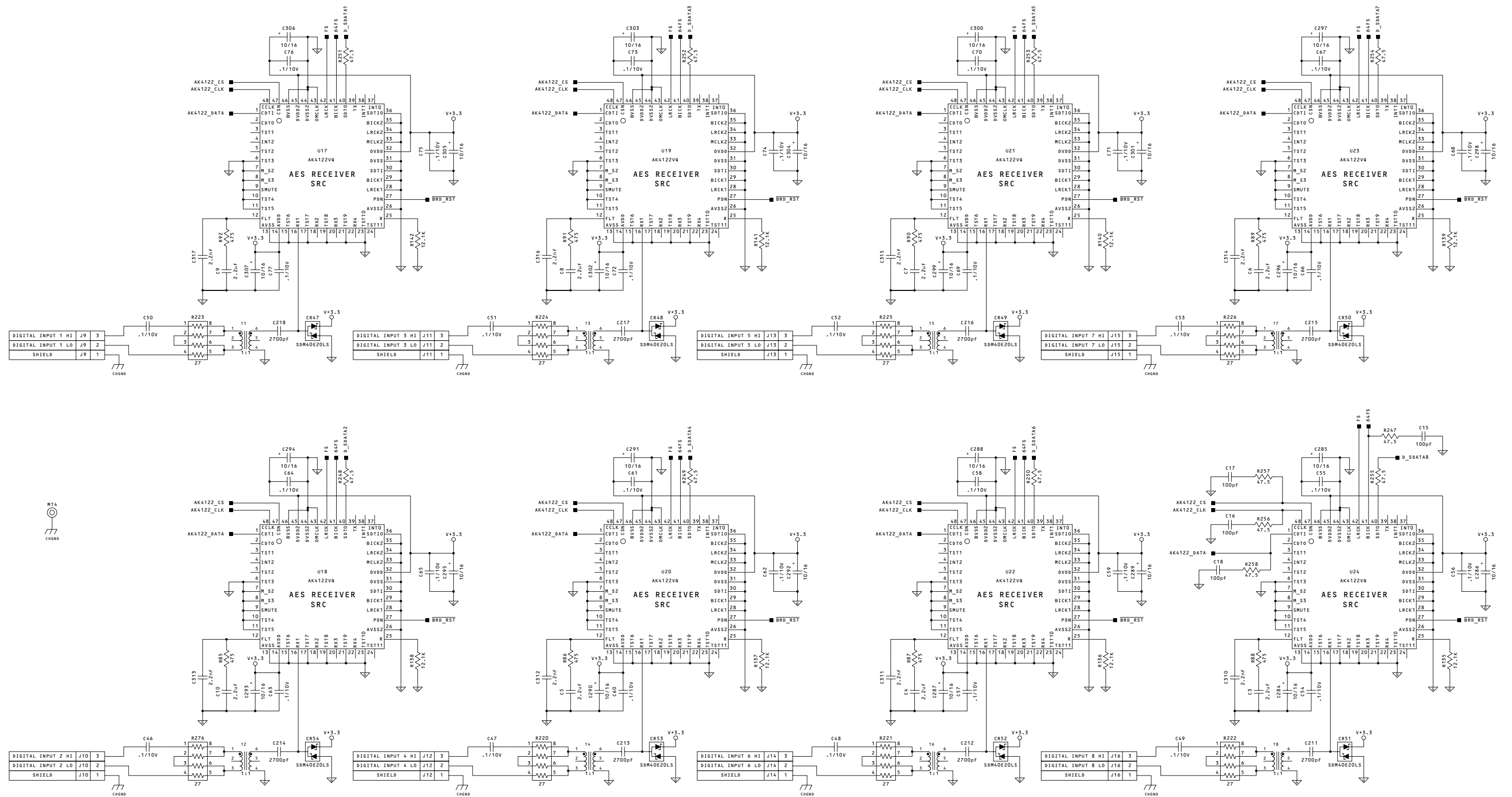
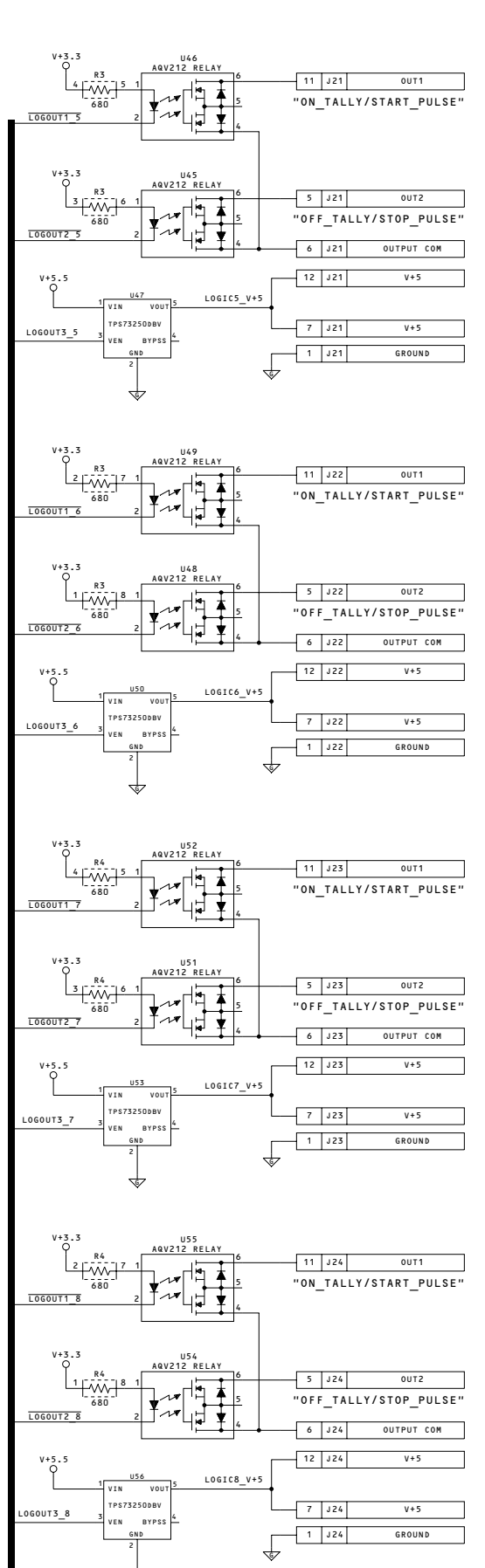
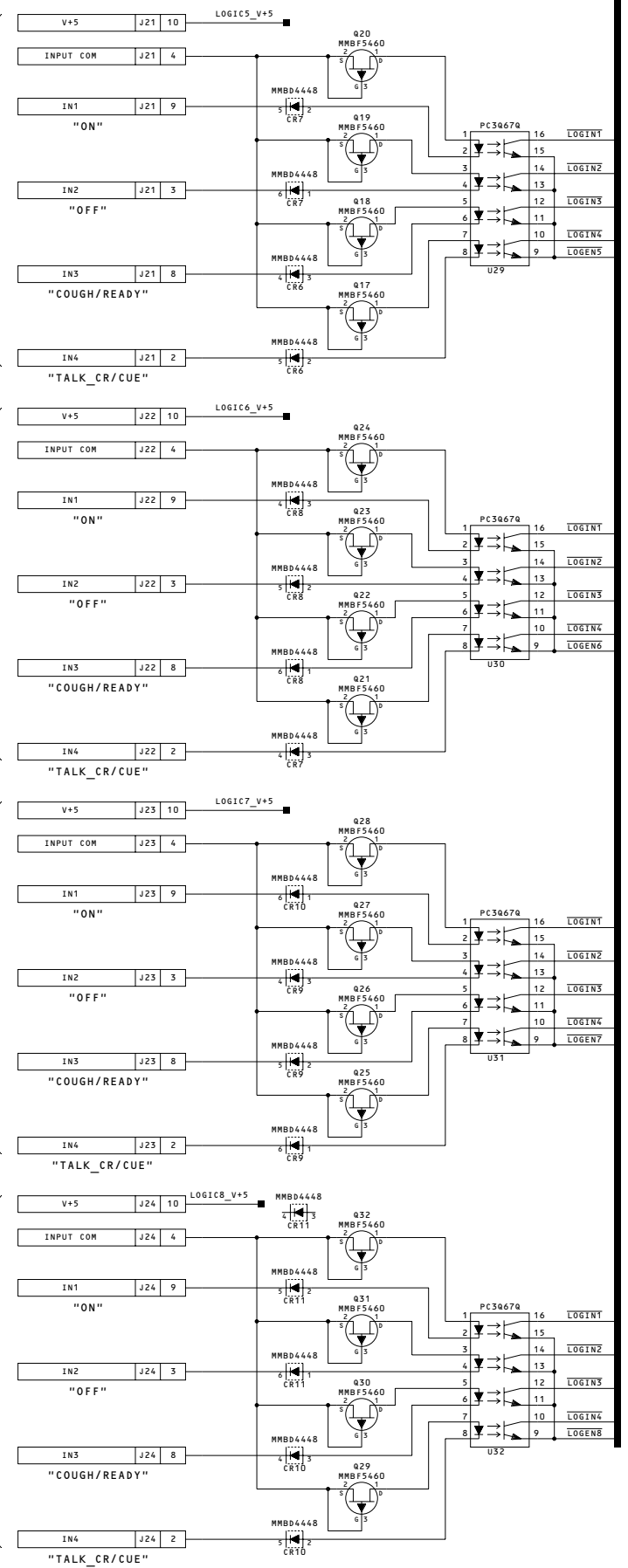
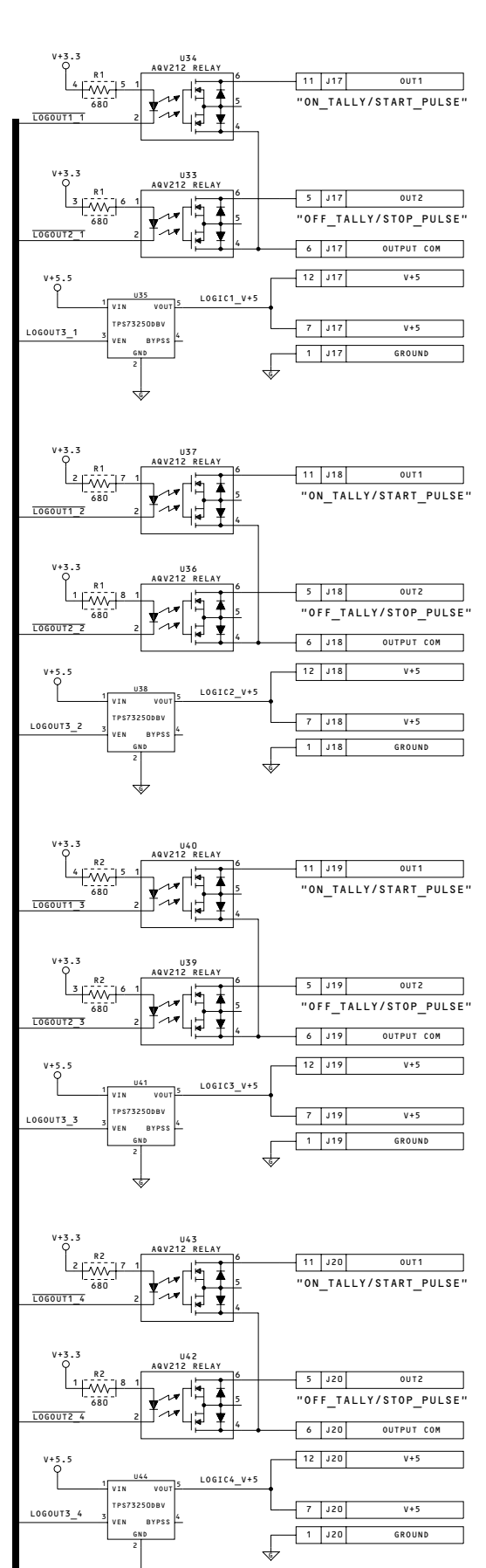
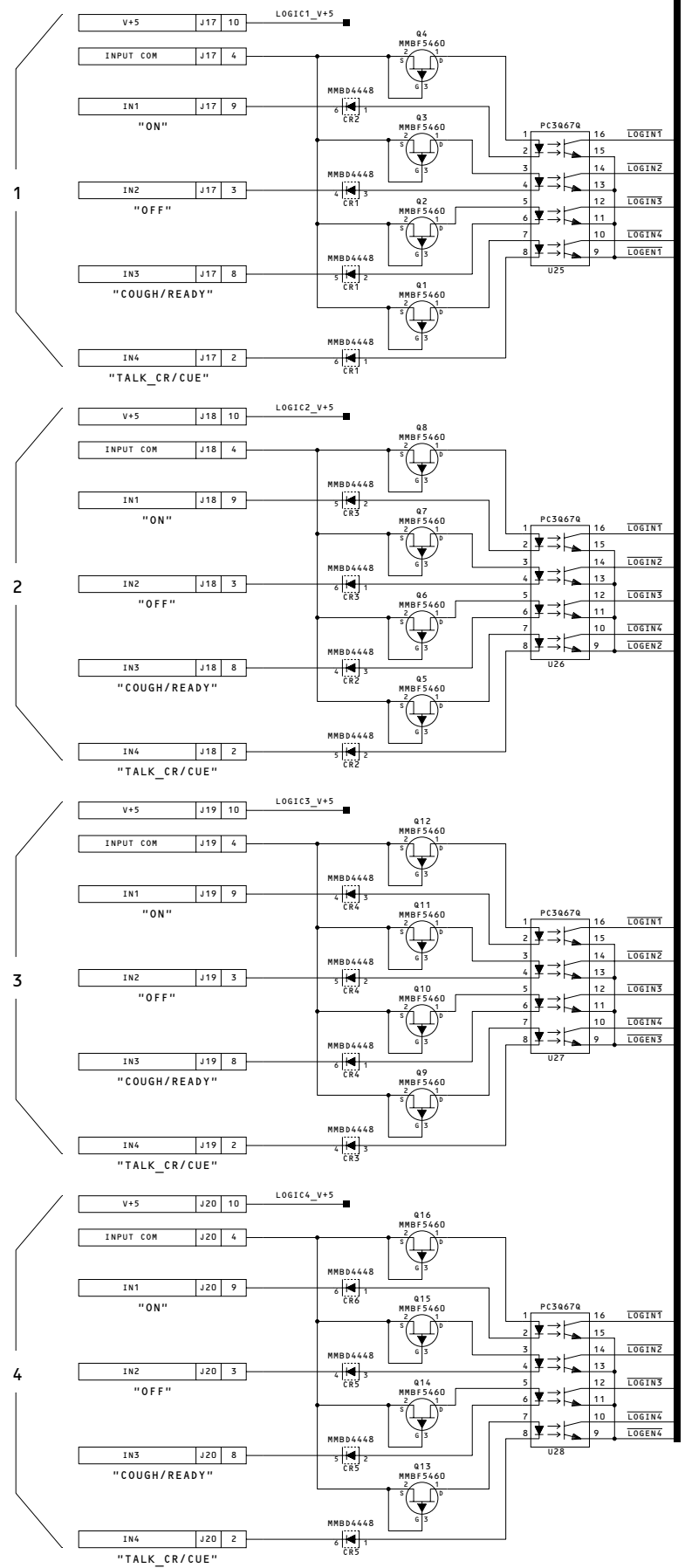


REV	ECN #	DESCRIPTION	DATE	APPROVAL
A		PROTOTYPE RELEASE	15DEC05	L. STANTON
B	52735	INITIAL RELEASE	17MAR06	L. STANTON
C	52820	CR46 IS S2008D52, WAS 252	6APR06	L. STANTON
D	53008	R228-235 was 5.6 is 0. U76 was 250 is 500	21APR06	L. STANTON
E	53296	C108 is 0.01uF/50V, was 0.1uF/10V	22MAY06	L. STANTON
F	54213	C107,109 is 0.047uF/10V, was 0.1uF/10V	25AUG06	L. STANTON
G	55637	Add AES Input Schottky protect diodes	2FEB07	L. STANTON
H	56051	Add foldback I LIMIT to Dual Fader switches Remove R228-235, Q37,38 is 642B, was 2222A Add BRD RST 10K pull down, R299	11FEB08	L. STANTON





DIGITAL INPUT RECEIVERS, INPUTS 1-8



*LOGOUT1_E1:83, LOGOUT2_E1:83, LOGOUT3_E1:83

LOGIC INPUTS & OUTPUTS (1 - 8)

