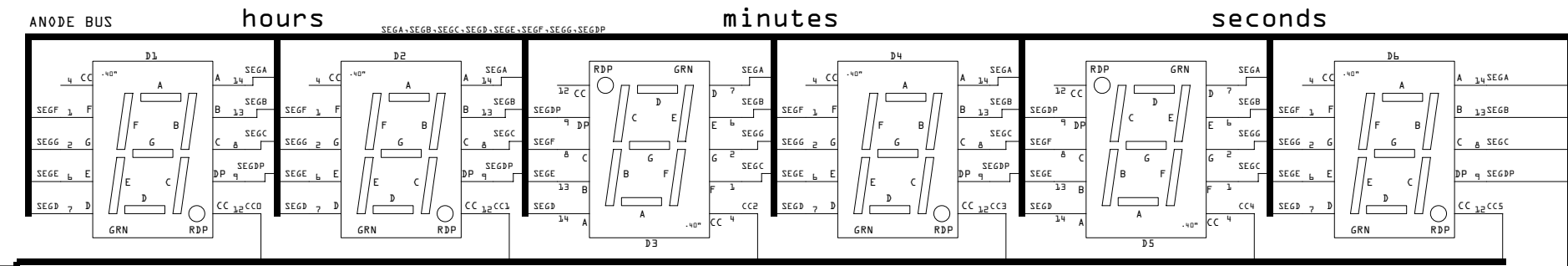
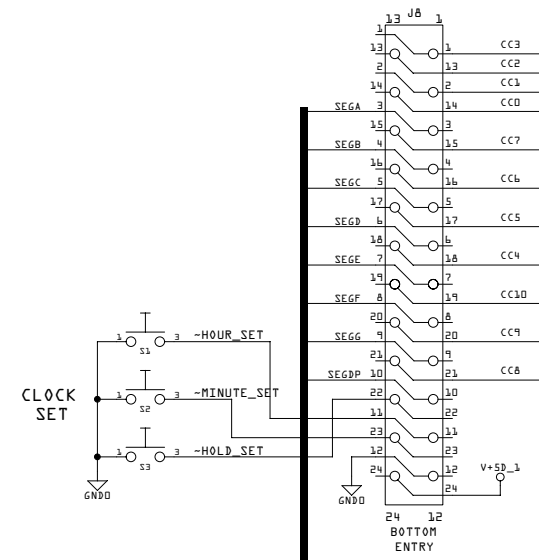
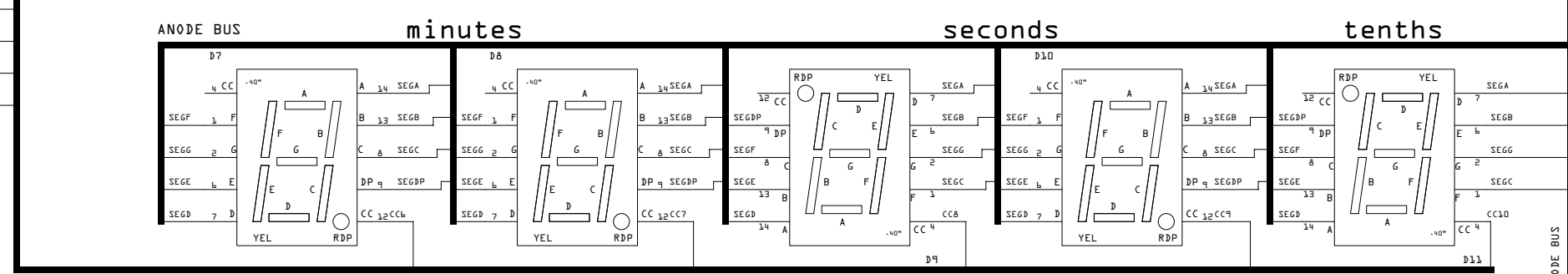


REVISIONS				
REV	ECO #	DESCRIPTION	DATE	APPROVAL
A		INITIAL RELEASE	3/27/06	J. DOMBROWSKI
B	53462	ADDED REGULATOR	8/28/06	J. DOMBROWSKI
C	54093	"DONE" LED CIRCUIT CHANGE	1/18/07	J. DOMBROWSKI

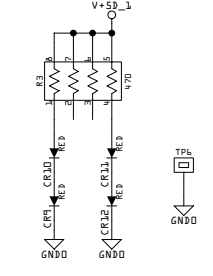
CLOCK SECTION



TIMER SECTION



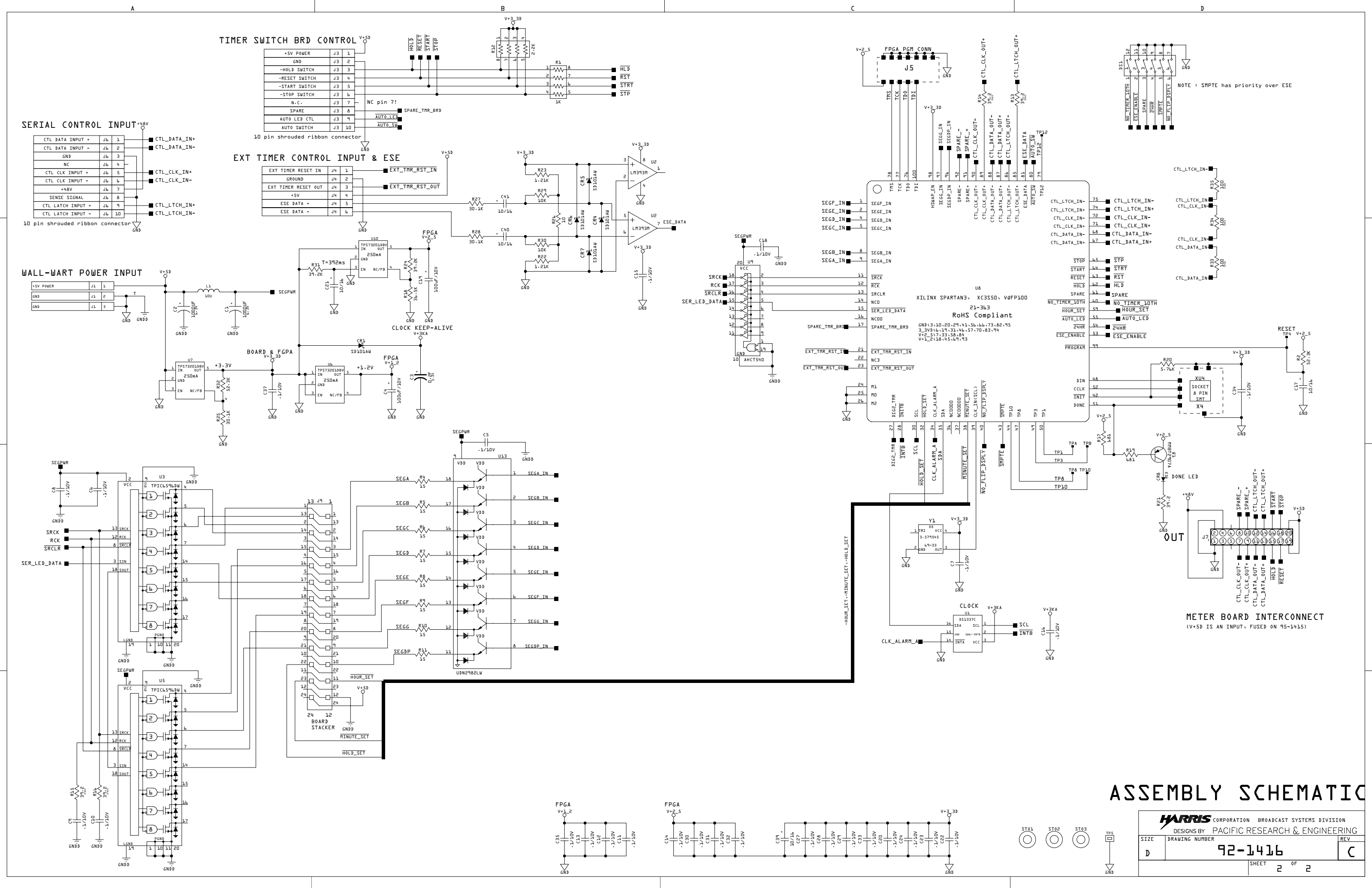
PLEX UP-LIGHTING



ASSEMBLY SCHEMATIC

APPROVALS	DATE	HARRIS CORPORATION BROADCAST SYSTEMS DIVISION		
J. DOMBROWSKI	3/27/06	DESIGNS BY PACIFIC RESEARCH & ENGINEERING		
SCHEMATIC				
UNIVERSAL CLOCK/TIMER BOARD				
SIZE	DRAWING NUMBER	REV		
D	92-1416	C		
USED ON	RMX-D, VPC	SHEET	1	OF 2
		1-19-2007_10:23		

PCB1
45-1416



NOTE: SMPTE has priority over ESE

METER BOARD INTERCONNECT
(V+5D IS AN INPUT, FUSED ON 95-1415)

ASSEMBLY SCHEMATIC

HARRIS CORPORATION BROADCAST SYSTEMS DIVISION		DESIGNS BY PACIFIC RESEARCH & ENGINEERING	
SIZE	DRAWING NUMBER	REV	
D	92-1416	C	
SHEET 2 OF 2			