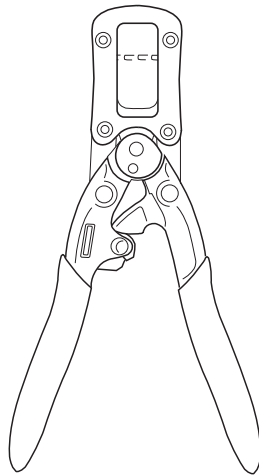


Tool Kit Parts

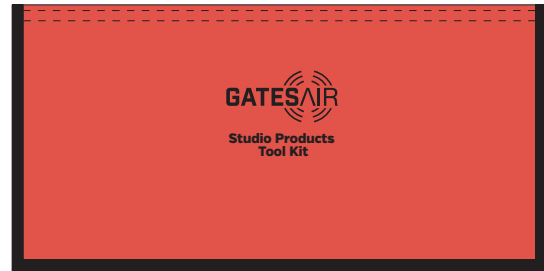
70-57 2MM HEX DRIVER

The 2MM hex driver [70-57] is used to remove the 3x6 metric hex screws on NetWave consoles and SMXd mixers (control surface panels and the NetWave faders use 3x6 screws).

This tool is not compatible with the hex screws used on RMXd or BMXd consoles.



70-126 Crimp Tool



88-175 Tool Pouch



70-57 2mm Hex Tool



70-129 Pin Removal Tool

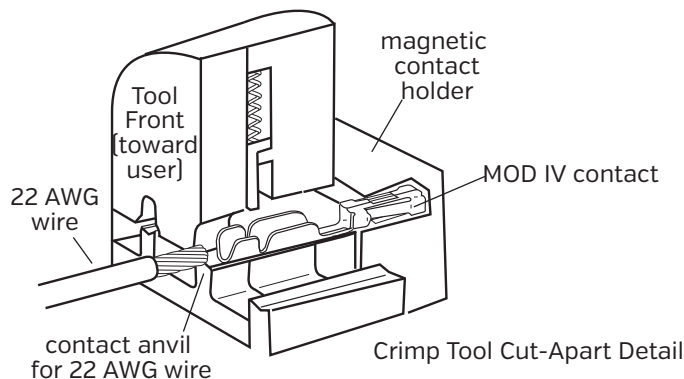
70-126 CRIMP TOOL

The 70-126 Crimp Tool crimps both the AMP MOD IV contacts [15-983-1], used on all audio and logic connectors on the NetWave console and SMXd mixer, and the EUROCARD Type C terminals [15-973], used on VistaMax and Envoy card frame I/O cards.

The 70-126 tool has a magnetic contact holder for use in crimping the MOD IV contacts. Place the contact into the holder, then close it against the back of the tool. Make sure the contact is on the anvil straight and that it ends slightly inside the front edge of the tool. Close the tool to the first click to hold the contact in place, then insert the prepped wire into the contact.

When the tool is used to crimp EUROCARD terminals, the holder can be removed from the tool since those terminals must be placed on the anvil by hand and held while the tool is closed to the first click to hold the terminal in place. Otherwise they are crimped like the MOD IV contacts.

Follow the instructions in the console manuals for wire preparation.



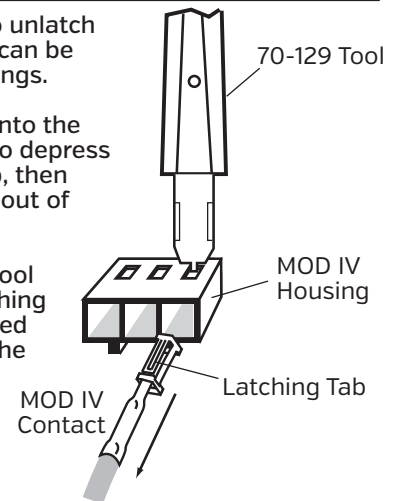
Crimp Tool Cut-Apart Detail

70-129 MOD IV CONTACT REMOVAL TOOL

The 70-129 tool is used to unlatch MOD IV contacts so they can be removed from their housings.

Fully insert the tool's tip into the housing's latch opening to depress the contact's latching tab, then pull the wire and contact out of the housing.

The angled sides on the tool are used to bend the latching tab up to ensure a removed contact latches will into the housing when reinserted.



Refer to the NetWave or SMXd manuals for more details on using these tools.

THIS DOCUMENT APPLIES TO
PRE76-1901

TITLE INSTRUCTION SHEET, OPTIONAL TOOL KIT,
FOR NETWAVE OR SMXDIGITAL



5300 Kings Island Drive • Mason, OH 45040 USA
513.459.3400 • fax: 513.459.5309 • www.gatesair.com
e-mail: tsupport@gatesair.com

DRAWN

RLM

DATE

Sept 18, 2014

DWG. NO.

71-1901

REV.

B

SHEET

1 OF 1

APVD.