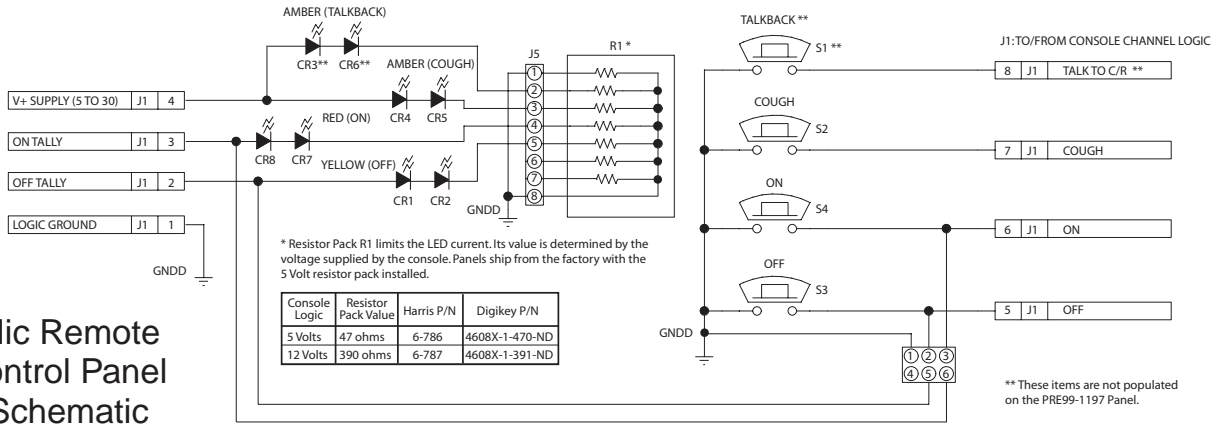
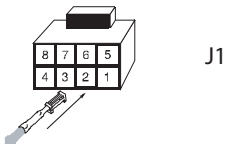
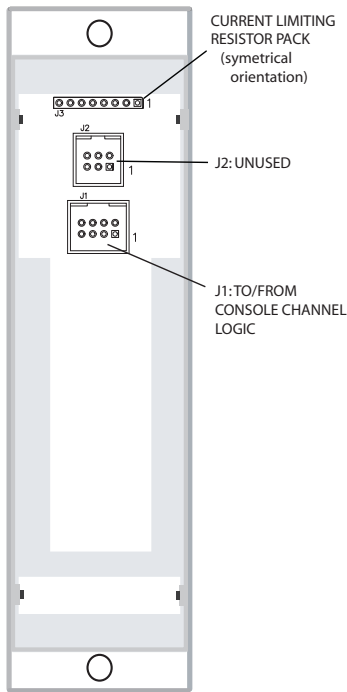


Mic Remote Control Panel Schematic



Mic Remote Control Panel Connections



12-PIN ASSIGNABLE LOGIC CONNECTOR

SIGNAL	PIN
Logic Ground	1
Off Tally	5
On Tally	11
+5 VDC Supply	7
Off Switch (-)	3
On Switch (-)	9
Cough Switch (-)	8
Talk Switch (-)	2
Tally Common	6
+5 VDC supply	12
Enable Logic Inputs (+)	4
+5 VDC Supply	10

- BLK
- WHT
- RED
- GRN
- BRN
- BLU
- ORG
- YEL

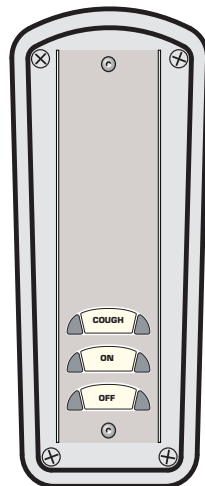
PARTS LIST

Cable: Category cable (CAT-5), Belden 9421, or equiv.
 8-pin MOD IV Housing: 14-486 (Tyco-AMP 87631-4)
 12-pin MOD IV housing: 14-490 (Tyco-AMP 87922-2)
 MOD IV contacts: 15-938-1 (Tyco-AMP 102128-1)

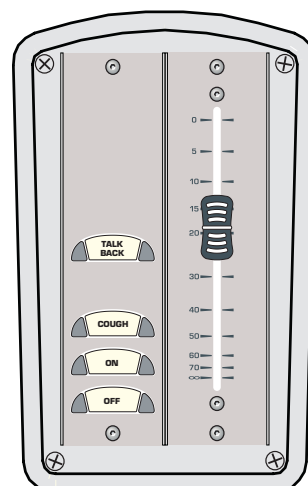
99-1197 or 99-1198 MIC CONTROL PANEL

PIN	SIGNAL
1	Logic GND
2	Off Tally
3	On Tally
4	Power Supply
5	Off Switch
6	On Switch
7	Cough Switch
8	Talkback Switch

Application Examples



PRE99-1788-1
SINGLE CABINET
PLATE with a
PRE99-1197
GUEST MIC PANEL
(ON/OFF/COUGH)



PRE99-1788-2
DUAL CABINET
PLATE with a
PRE99-1198
GUEST MIC PANEL
(ON/OFF/COUGH
WITH TALKBACK)
&
PRE99-1191
HEADPHONE
FADER PANEL

THIS DOCUMENT APPLIES TO
PRE99-1197 & pre99-1198

TITLE
INSTRUCTION SHEET, 3 & 4 BUTTON MIC
REMOTE CONTROL PANELS (1.6" X 6")



phone 1.252.638-7000
pre.com | techsupport@wheatstone.com

DRAWN RLM
SHEET 1 OF 1

DATE June 13, 2014
APVD.

DWG. NO.
71-1197

REV.
C