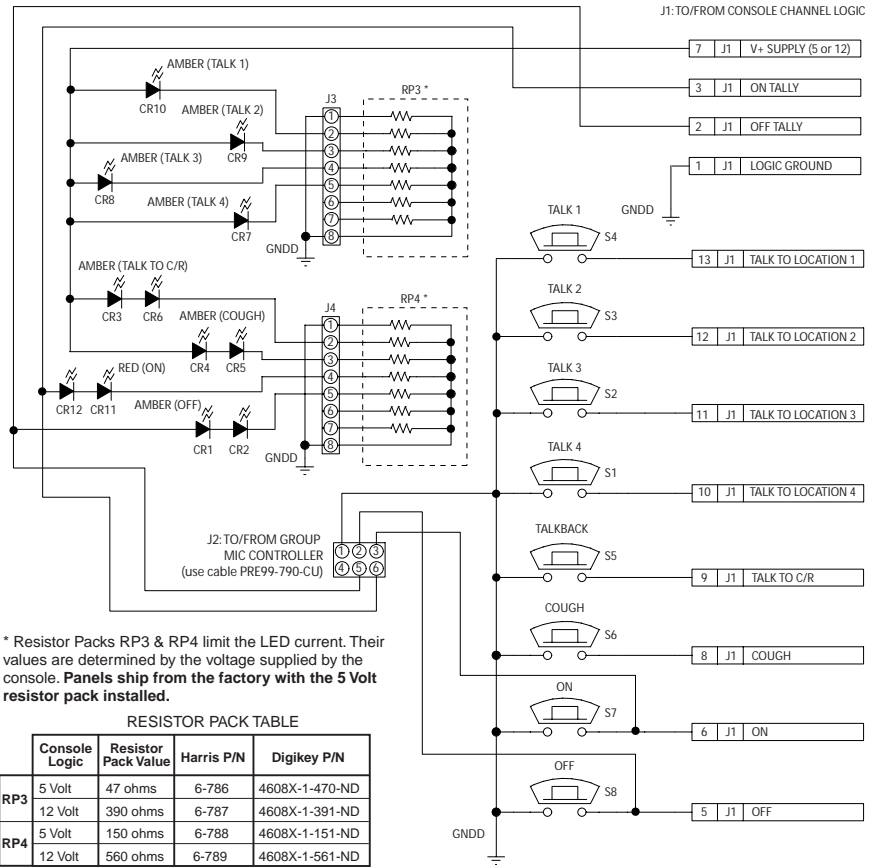
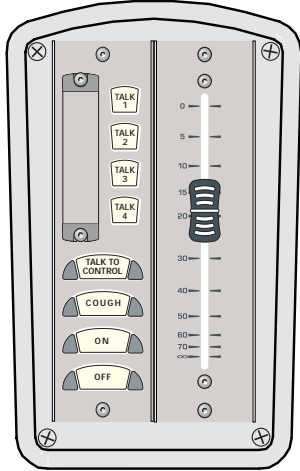


Application Examples



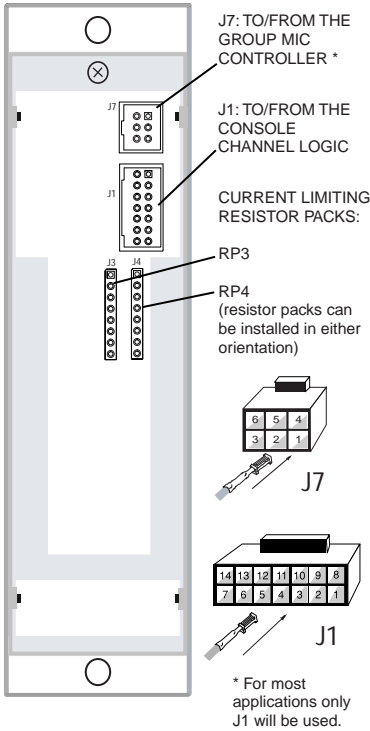
PRE99-1788-1
SINGLE CABINET
PLATE with a
PRE99-1199
MIC PANEL

PRE99-1788-2
DUAL CABINET
PLATE with a
PRE99-1199
MIC PANEL
&
PRE99-1191
HEADPHONE
FADER PANEL



Simplified Schematic

Panel Connections



Connector Pinouts and Console Logic Signals

J1: Mic R/C Panel

P1	Signal	Pin
	Logic Ground	1
	Off Tally	2
	On Tally	3
	Off Switch	5
	On Switch	6
	Cough Switch	8
	Talk to C/R Switch	9
	V+ Supply	7
	Talk 1 Switch	13
	Talk 2 Switch	12
	Talk 3 Switch	11
	Talk 4 Switch	10

BMXdigital (MAIN), Legacy (LOGIC I/O)

Pin	Signal	P2
	Logic Ground	1
	Off Tally Output	16
	On Tally Output	17
	Remote Off Switch	8
	Remote On Switch	7
	Remote Cough Switch	9
	Remote Talk C/R Switch	20
	+5 Volt Supply	12
	Tally Common	14
	+5 Volt Supply	6
	Opto Source Voltage	18
	+5 Volt Supply	10

Refer to drawing 71-788 for cable construction details and parts list.

The Panel comes with the 14-pin AMP MOD IV connector housing and contacts.

BMXdigital (T/B OPTION)

Pin	Signal	P3
	Talk to Location 1	A
	Talk to Location 2	B
	Talk to Location 3	C
	Talk to Location 4	D

Refer to drawing 71-788 for the Talk to Location pinouts for A, B, C, D.

THIS DOCUMENT APPLIES TO
PRE99-1199

TITLE
INSTRUCTION SHEET, 1.6" MIC REMOTE
CONTROL PANEL WITH FIVE TALKS