

# Using the Group Mic Panel

The Group Mic panel allows one person (the Host) to control from one to six microphone channels, individually or as a group, from the Studio with one set of On/Off buttons. The panel's ON and OFF buttons both control the mic channels and indicate their On/Off status as a group.

## INSTALLATION

The Group Mic panel fits into a 1.6" Panel Turret (PRE99-1213), a Single Cabinet Plate (PRE99-1788-1)—both shown in the Application Examples, or a Dual Cabinet Plate (PRE99-1788-2). The panel ties to six console mic channel logic connectors using a pre-made cable (PRE99-789-CU) from Harris, or a locally made custom cable using the pinouts shown below. Refer to drawing 71-789 for construction details.

The Group Mic panel can also connect through individual Mic Control Panels (PRE99-1197, -1198 or -1199), for both guest and Host control, using a pre-made cable (PRE-790-CU), or a locally made custom cable. Refer to drawing 71-790 for cable construction details.

## OPERATION

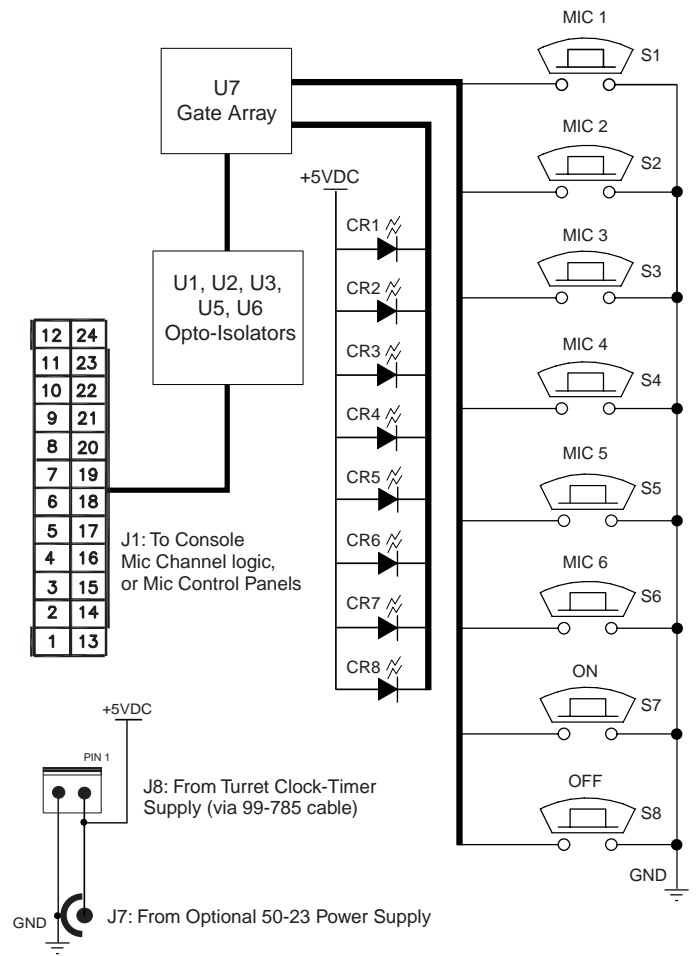
To select a microphone to control, press one of the MIC buttons (MIC 1, MIC 2, etc.). The MIC button lights when selected. The On or Off button also lights to indicate the mic On/Off status. To turn the mic on, press the ON button. To turn off that mic, press the OFF button.

To "Group" or control multiple mics simultaneously, simply press more than one MIC button. Up to all six microphones can be grouped together. Pressing ON or OFF turns all mics in the group On or Off. With grouped mics, the ON and OFF buttons may both light. This indicates that some mic channels are On, while others are Off. This can occur when the console operator turns a mic channel off or on at the console. To synchronize all the mics in the group, simply press either the ON or the OFF button.

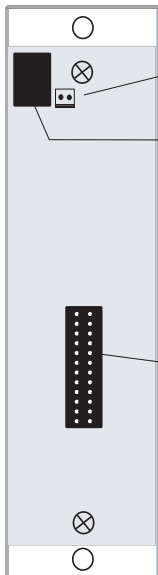
To remove one mic from the group, press the lighted MIC button to turn off its light. This action also automatically turns that one mic channel OFF.

If there are less than six mic logic cables connected to the panel, and yet the MIC buttons for those unused mics are selected, they will be automatically removed from the group when the OFF button is pressed.

# Simplified Schematic, Group Mic Panel



## 99-1210 Connections



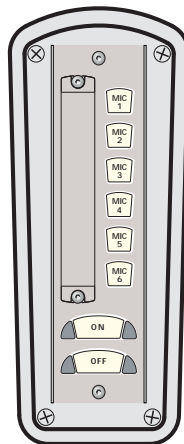
## J1 Signals

Signal	Pin
Ground	15
Mic 1 On Switch	12
Mic 1, Off Switch	24
Mic 1, Off Tally +	6
Ground	14
Mic 2 On Switch	11
Mic 2, Off Switch	23
Mic 2, Off Tally +	5
Ground	13
Mic 3 On Switch	10
Mic 3, Off Switch	22
Mic 3, Off Tally +	4
Ground	18
Mic 4 On Switch	9
Mic 4, Off Switch	21
Mic 4, Off Tally +	3
Ground	17
Mic 5 On Switch	8
Mic 5, Off Switch	20
Mic 5, Off Tally +	2
Ground	16
Mic 6, On Switch	7
Mic 6, Off Switch	19
Mic 6, Off Tally +	1

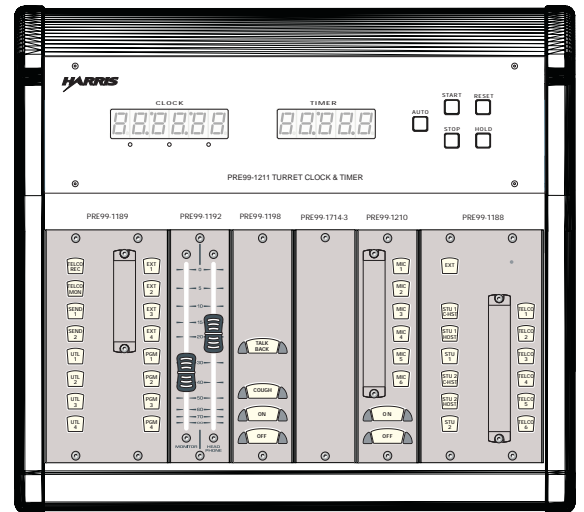
## J1: Wire Insertion View

12	24
11	23
10	22
9	21
8	20
7	19
6	18
5	17
4	16
3	15
2	14
1	13

## Application Examples



PRE99-1788-1  
Single Cabinet Plate  
with a PRE99-1210  
Group Mic panel



PRE99-1213 Turret with a PRE99-1210 Group Mic panel installed along with other typical control panels

THIS DOCUMENT APPLIES TO  
PRE99-1210

TITLE  
INSTRUCTION SHEET, 1.6" GROUP MIC  
CONTROL PANEL, FOR SIX MICS